

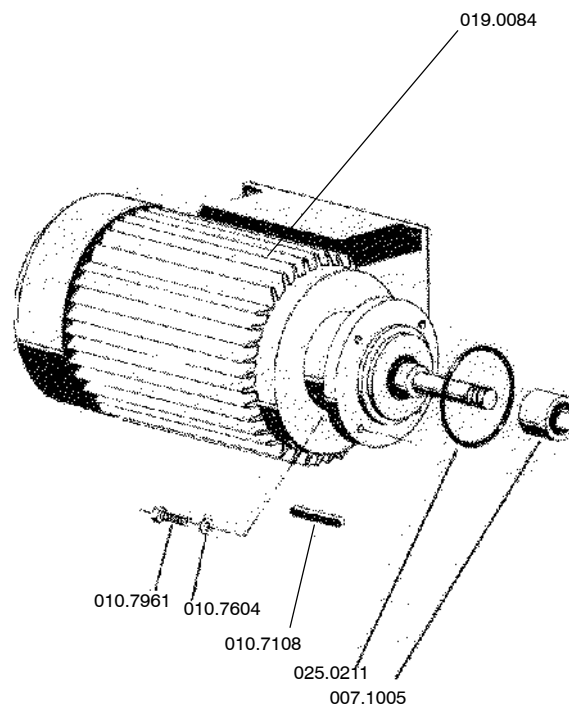
## 5.2 - Exploded diagrams

---

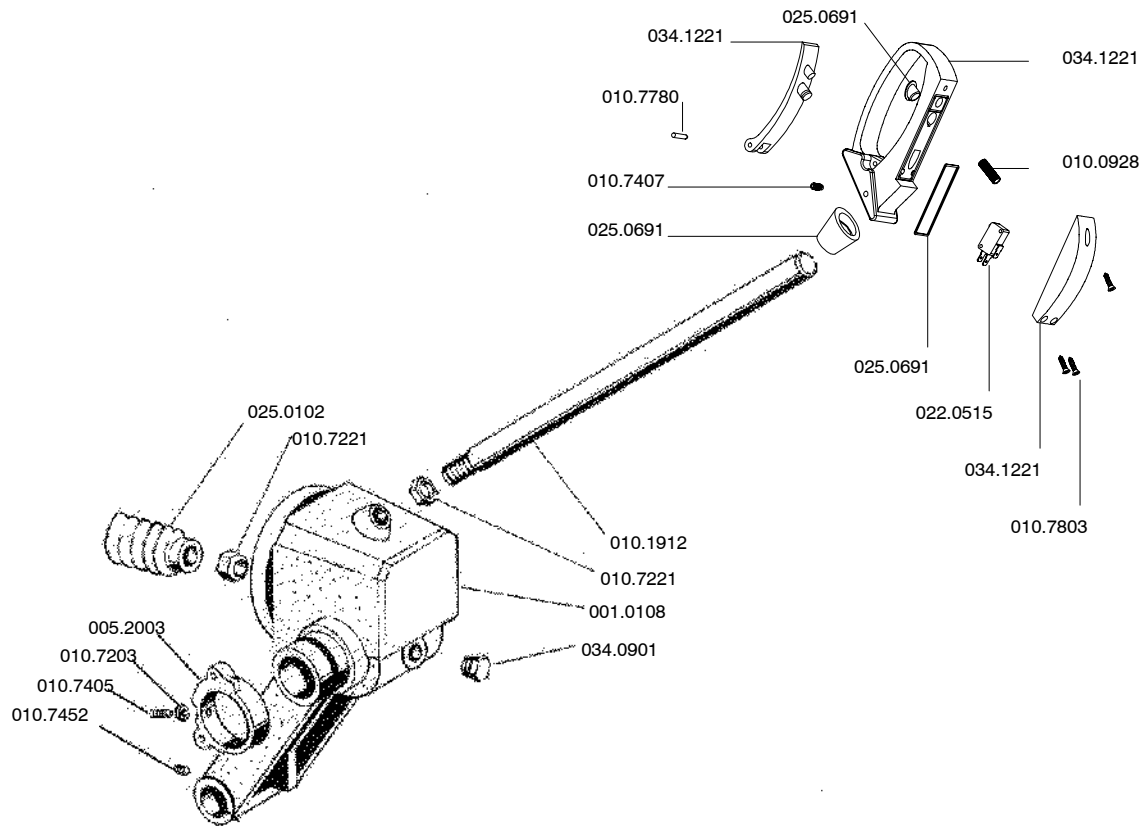
The following section provides the exploded diagrams, which are extremely detailed and may help you to gain familiarity with the machine.

### 5.2.1 - Motor unit

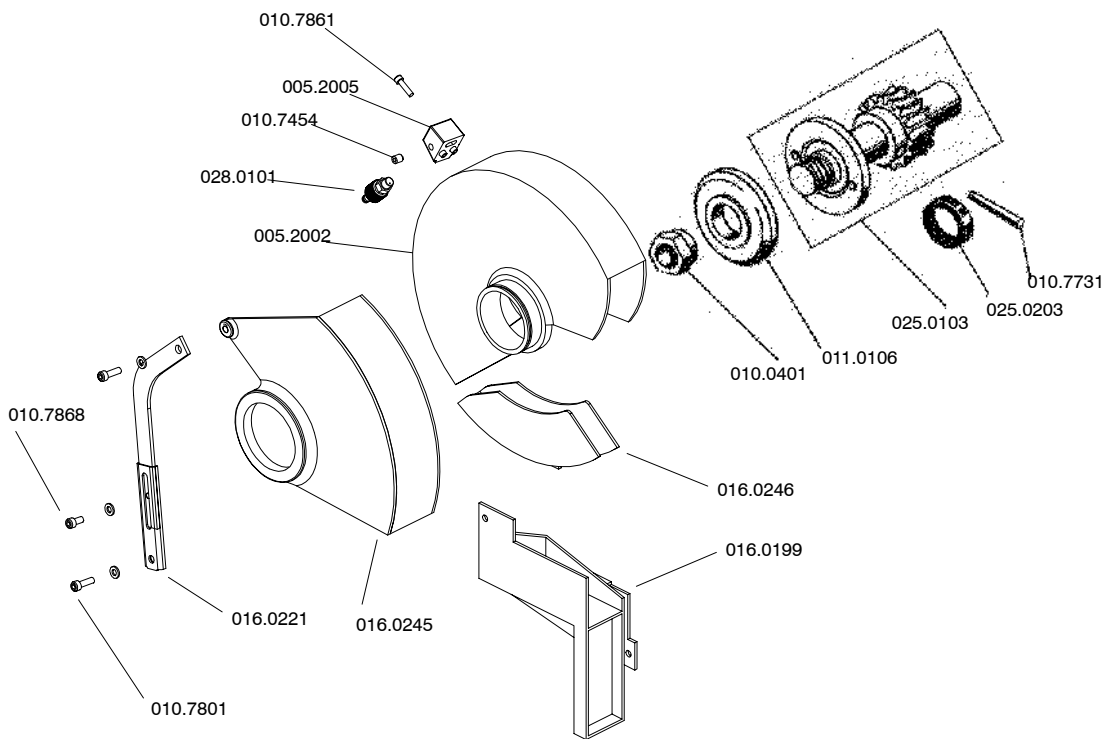
---



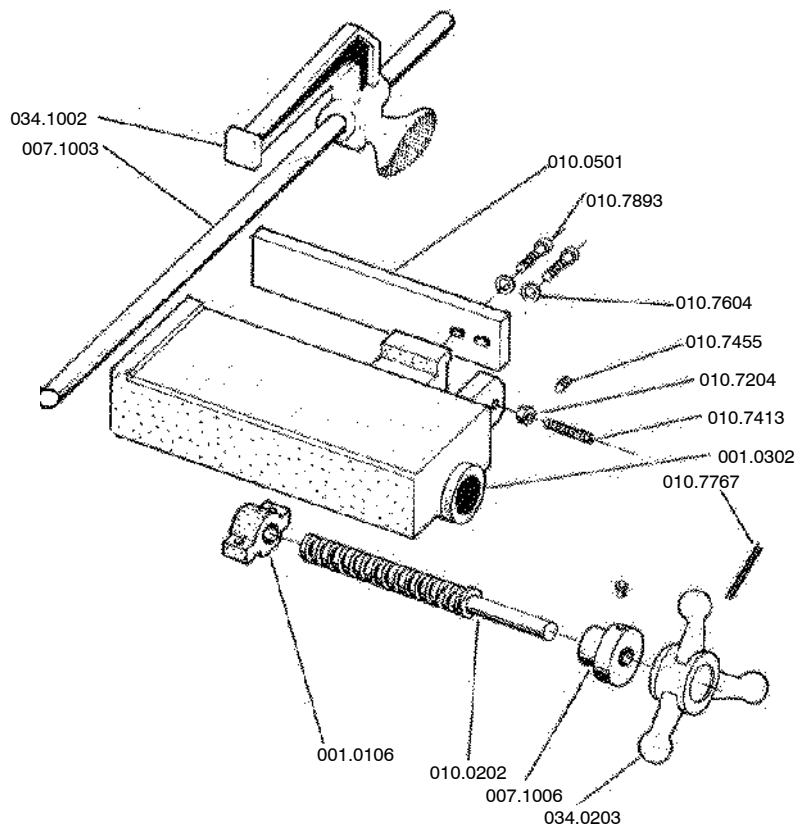
### 5.2.2 - Transmission unit



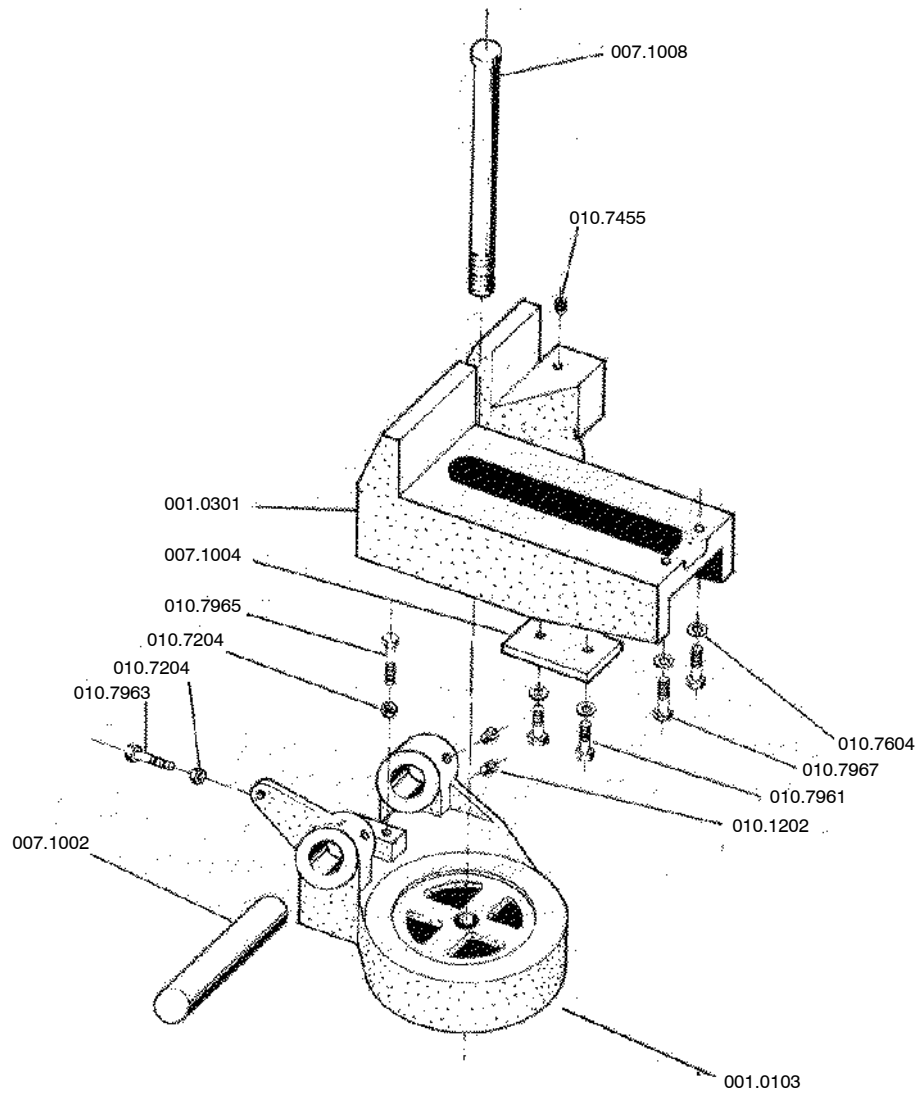
# Transmission unit (cont.)



### 5.2.3 - Vice unit

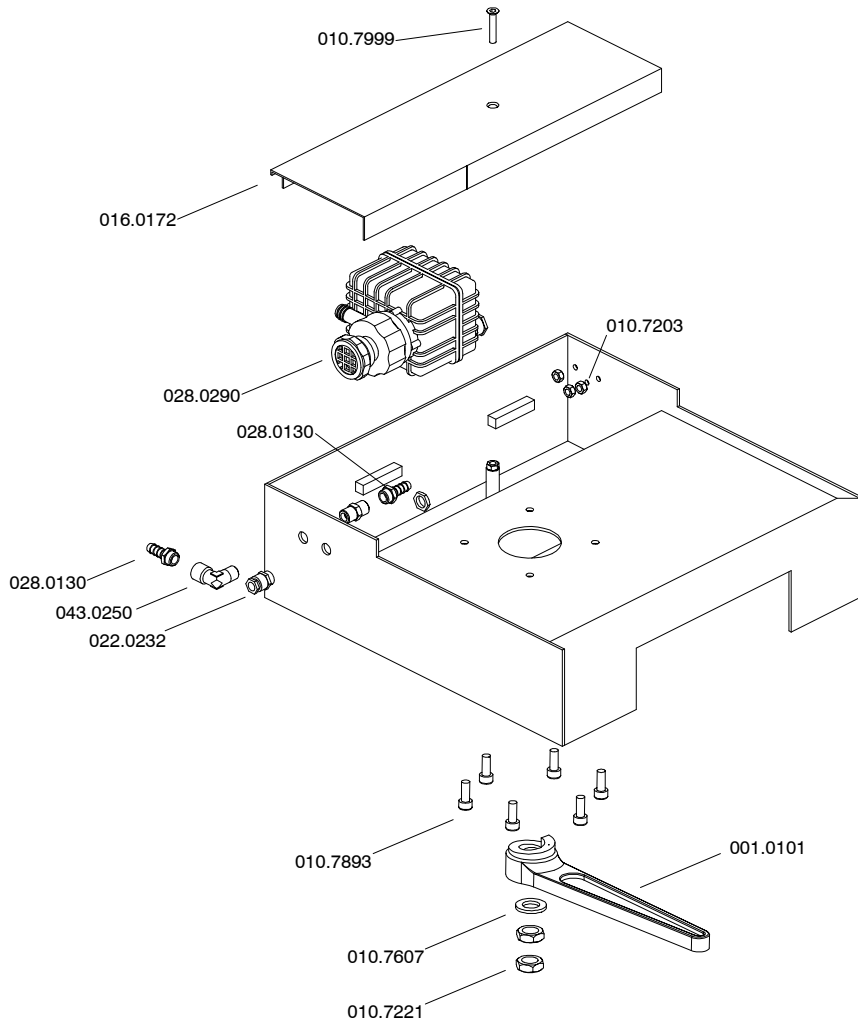


Vice unit (cont.)



### 5.2.4 - Base unit

---



Base unit (cont.)

