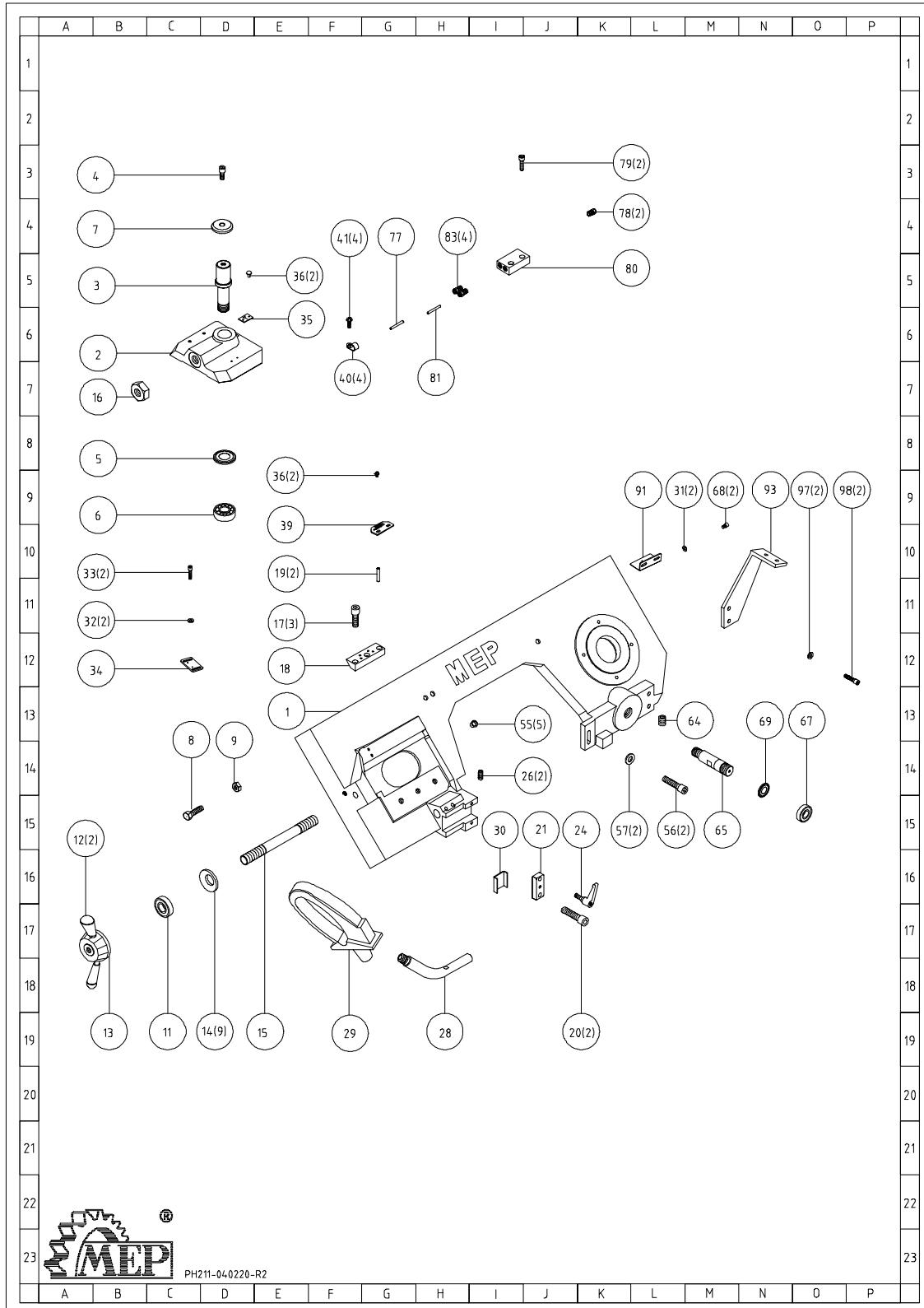


Explosietekeningen

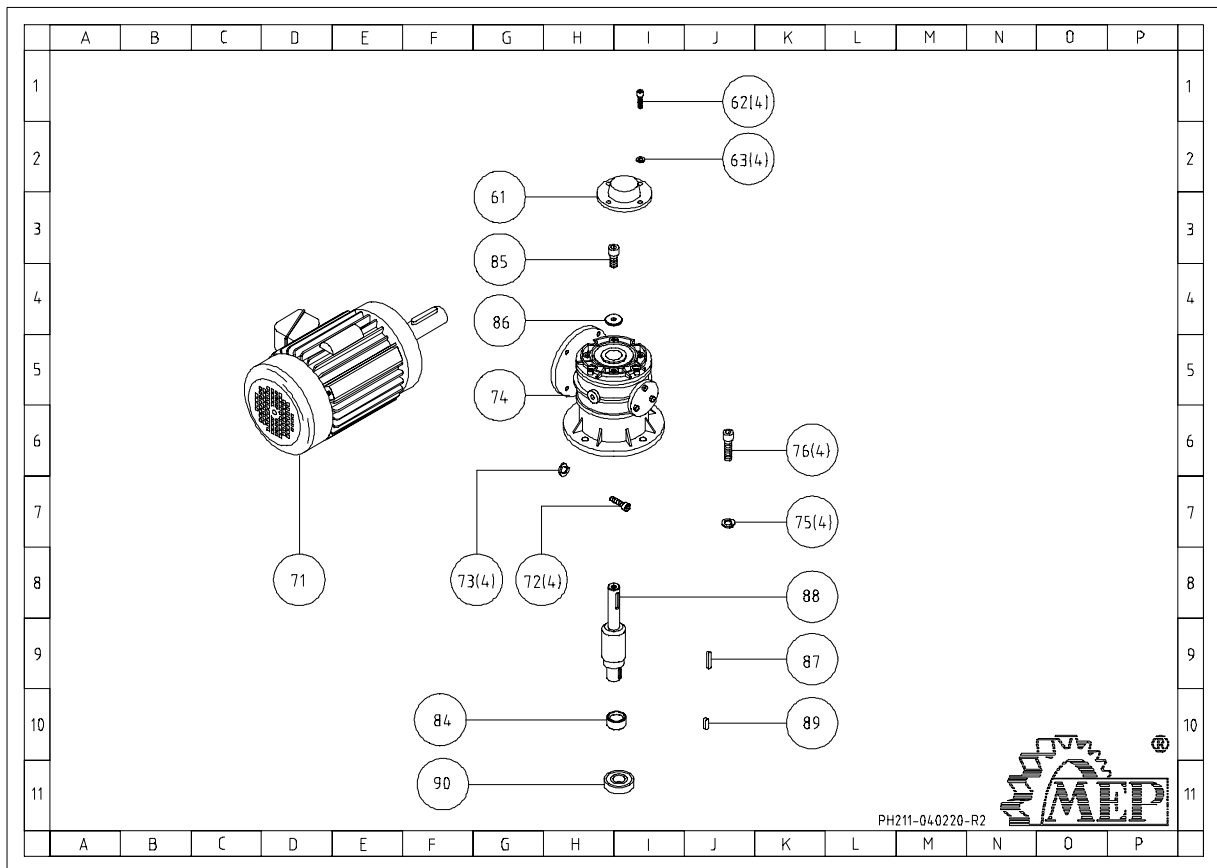
In het nu volgende deel zijn de explosietekeningen van de machine opgenomen. De tekeningen met hun volledige details kunnen helpen de machine beter te leren kennen.

Assemblage frame hoofddeel

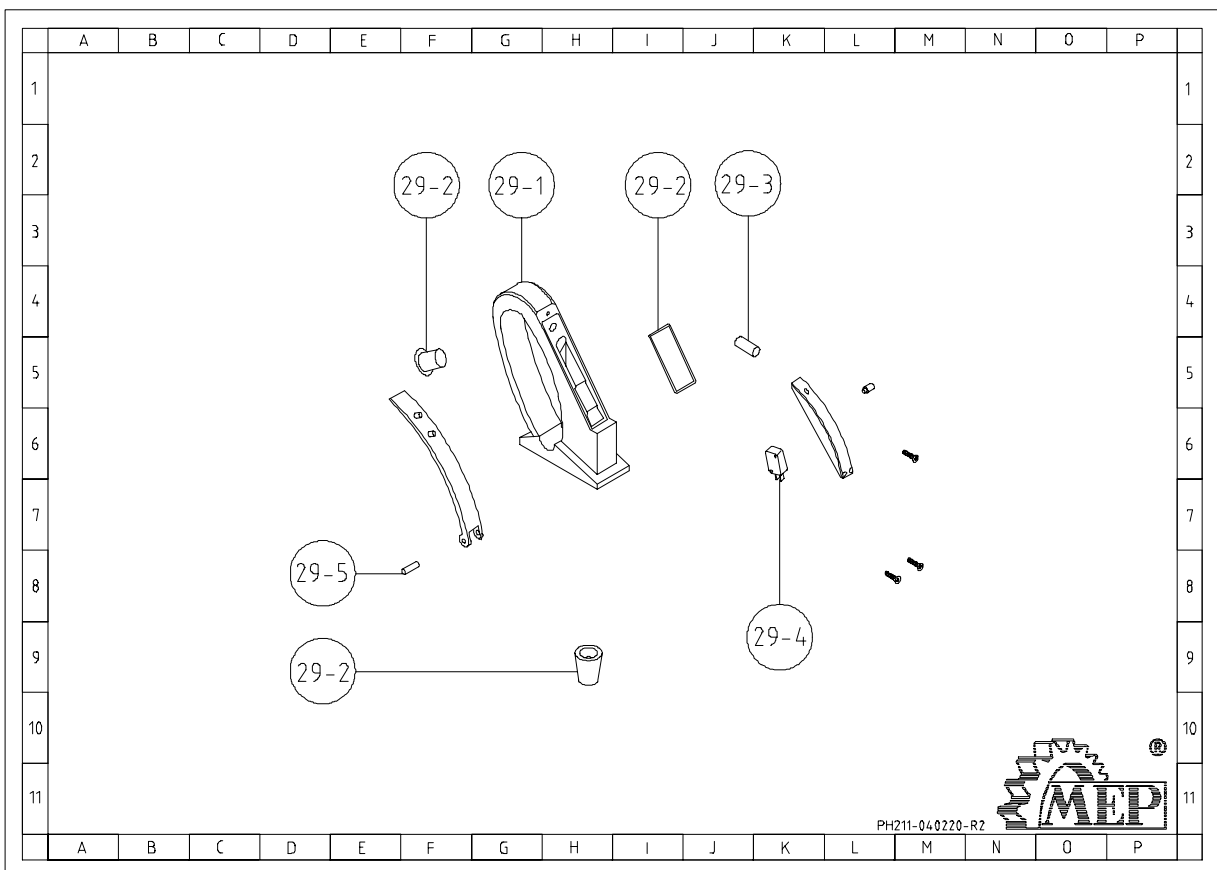


NR.	Art. NR.	Benaming	Hoeveelheid
1	001.6101	BODY FRAME	1
2	001.6105	ANCHOR BLOCK	1
3	010.2135	SHAFT	1
4	010.1801	HEX. SOCKET HEAD SCREW M8 X 20L	1
5	025.0273	ANTI-CHIP COVER	1
6	025.0072	TAPERED BEARING 32004	1
7	010.1201	WASHER	1
8	010.1201	HEX. HEAD SCREW M8 X 45L	1
9	010.1201	HEX. NUT M8	1
11	025.0966	BEARING 51202	1
12	034.0291	KNOB	2
13	034.0291	BLADE TENSION HANDLE	1
14	010.4063	SPRING WASHER ID16.3X 31.5X1.75T	9
15	010.3704	LEADSCREW	1
16	010.0402	HEX. NUT M16XP2.0	1
17	010.1201	HEX. SOCKET HEAD SCREW M8X25L	3
18	010.4025	FIXED BLOCK	1
19	010.1201	PIN 5X40	2
20	010.1201	HEX. SOCKET HEAD SCREW M6X20L	2
21	010.1587	FIXED BLOCK	1
24	034.1001	GRIP M8X25L	1
26	010.1201	HEX. SOCKET HEADLESS SCREW M8X10L	2
28	010.1919	CONNECTING TUBE	1
29	090.0271	HANDLE ASSEMBLY	1
30	010.4024	FIXED PLATE	1
31	010.1201	WASHER M6	2
32	010.1201	WASHER M5	2
33	010.1201	HEX. SOCKET HEAD SCREW M5X15L	2
34	022.0515	MICRO SWITCH BRACKET	1
35	031.2655	SCALE	1
36	010.1201	RIVET Ø 2X6	4
39	031.2656	SCALE	1
40	022.0392	HOSE CLIP Ø 8	4
41	010.1201	CROSS ROUND HEAD SCREW M5X20L	4
55	022.0326	PLASTIC BUSHING SB- 16	5
56	010.1201	HEX. SOCKET HEAD SCREW M8X35L	2
57	010.1201	WASHER M8	2
64	010.1201	HEX. SOCKET HEADLESS SCREW M8X15L	1
65	010.3711	FRAME PIVOT SHAFT	1
67	025.0967	TAPERED BEARING 32006	1
68	010.1201	HEX. SOCKET HEAD SCREW M6X10L	2
69	025.0277	ANTI-CHIP COVER	1
77	028.0191	PU TUBE Ø 6X800L	1
78	028.0131	HOSE FITTING Ø 8X1/4"PT	2
79	010.1201	HEX. SOCKET HEAD SCREW M6X15L	2
80	010.2306	3 WAY VALVE	1
81	028.0192	PU TUBE Ø 6X240L	1
83	028.0132	HOSE FITTING Ø 6X1/8"PT	4
91	016.1245	POWER CUTTING BRACKET	1
93	010.1586	SPRING BRACKET	1
97	010.1201	SPRING WASHER M10	2
98	010.1201	HEX. SOCKET HEAD SCREW M10X25L	2

Assemblage van de motor



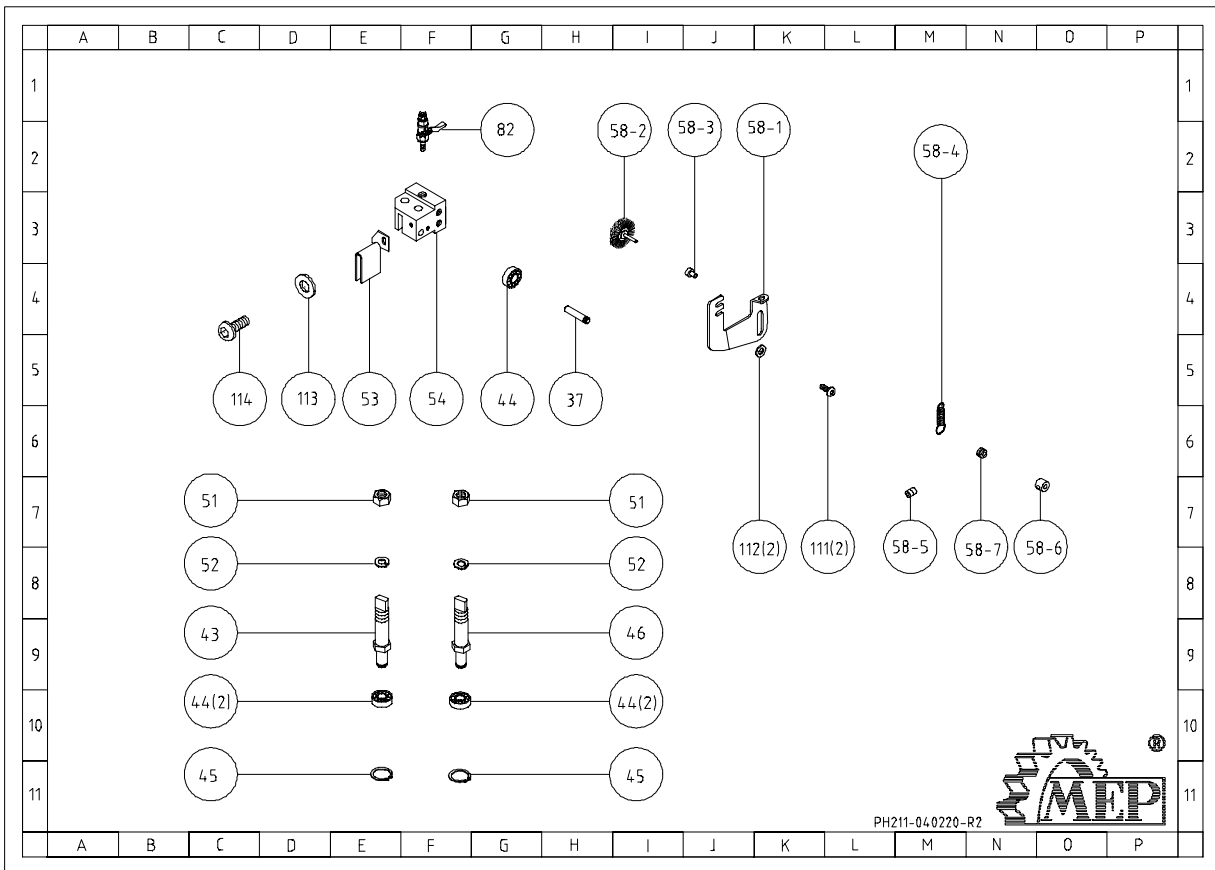
Assemblage van de handgreep



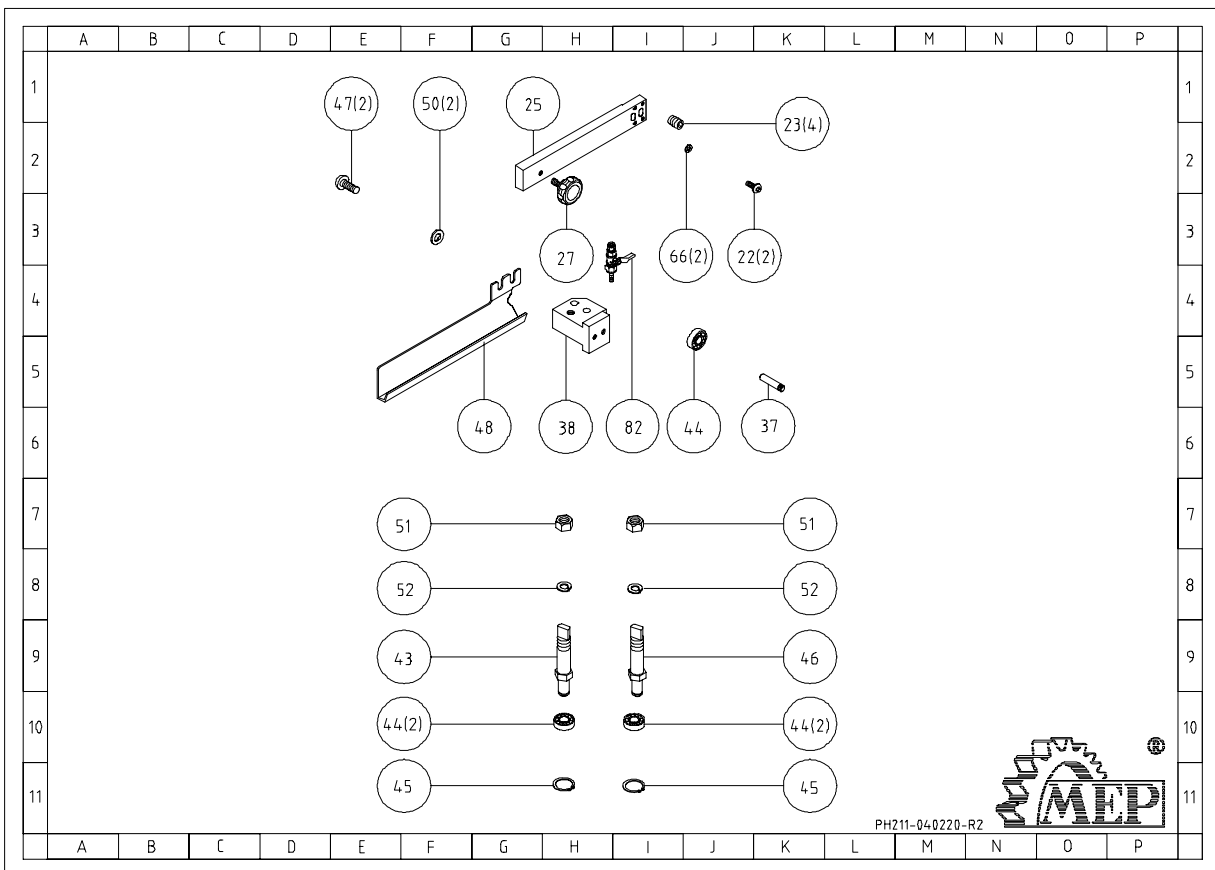
NR.	Art. NR.	Benaming	Hoeveelheid
61	034.0423	COVER	1
62	010.1201	HEX. SOCKET HEAD SCREW M8X15L	4
63	010.1201	SPRING WASHER M8	4
71	019.2331	MOTOR 1HP/380V/50HZ/3PH/2/4P	1
72	010.1201	HEX. SOCKET HEAD SCREW M6X20L	4
73	010.1201	SPRING WASHER M6	4
74	025.0769	REDUCER (2/4P) 1:28	1
75	010.1201	SPRING WASHER M10	4
76	010.1201	HEX. SOCKET HEAD SCREW M10X25L	4
85	010.1201	HEX. SOCKET HEAD SCREW M10X25L	1
86	010.1201	WASHER	1
87	010.1201	ROUND HEAD KEY 8X7X50	1
88	010.2136	OUTPUT SHAFT	1
89	010.1201	ROUND HEAD KEY 7X7X30	1
90	025.0056	BEARING 6206RS	1

NR.	Art. NR.	Benaming	Hoeveelheid
29-1	090.0271	HANDLE	1
29-2	090.0271	GASKET SERIES	1
29-3	090.0271	SPRING	1
29-4	090.0271	MICROSWITCH	1
29-5	090.0271	CYLINDRICAL PIN	1

Assemblage instelbare zaagblad (achterkant)



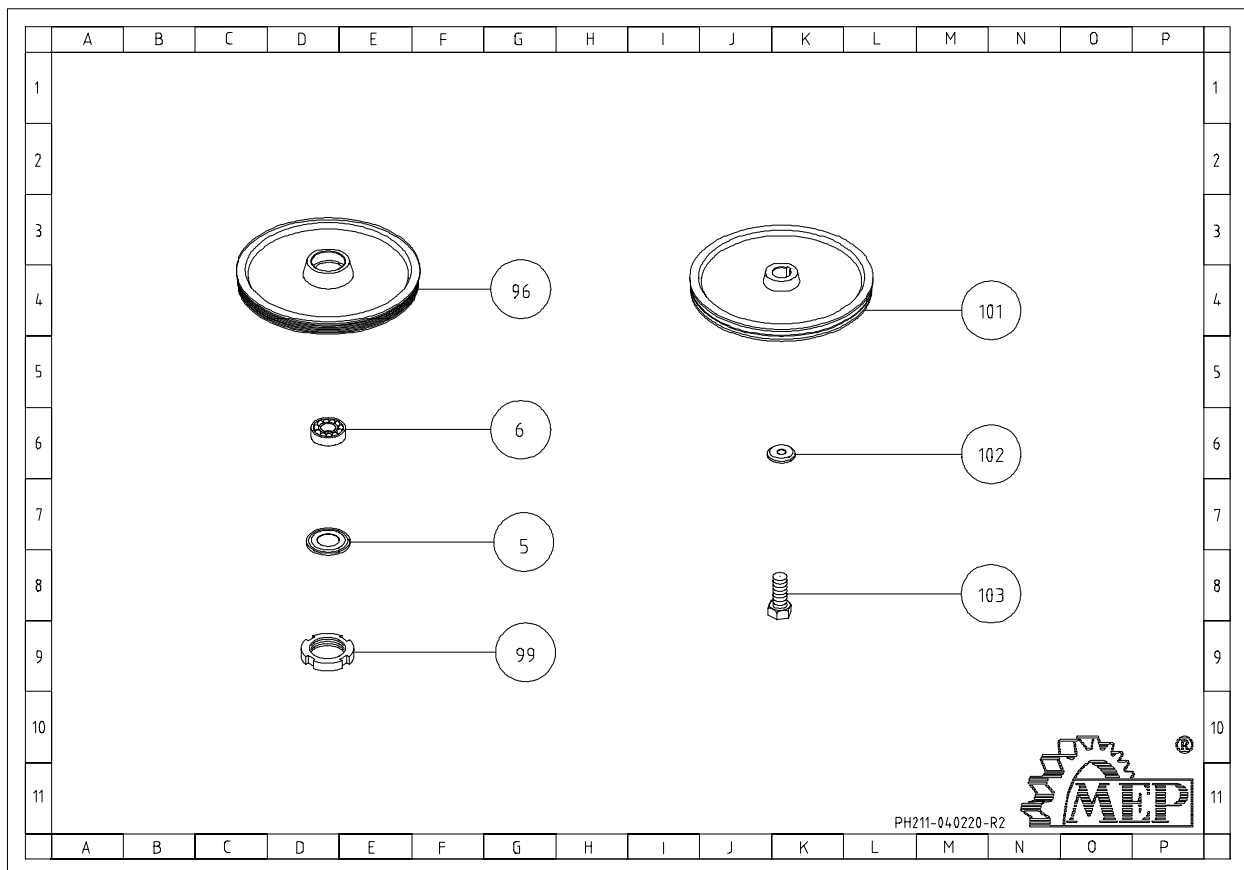
Assemblage instelbare zaagblad (voorkant)



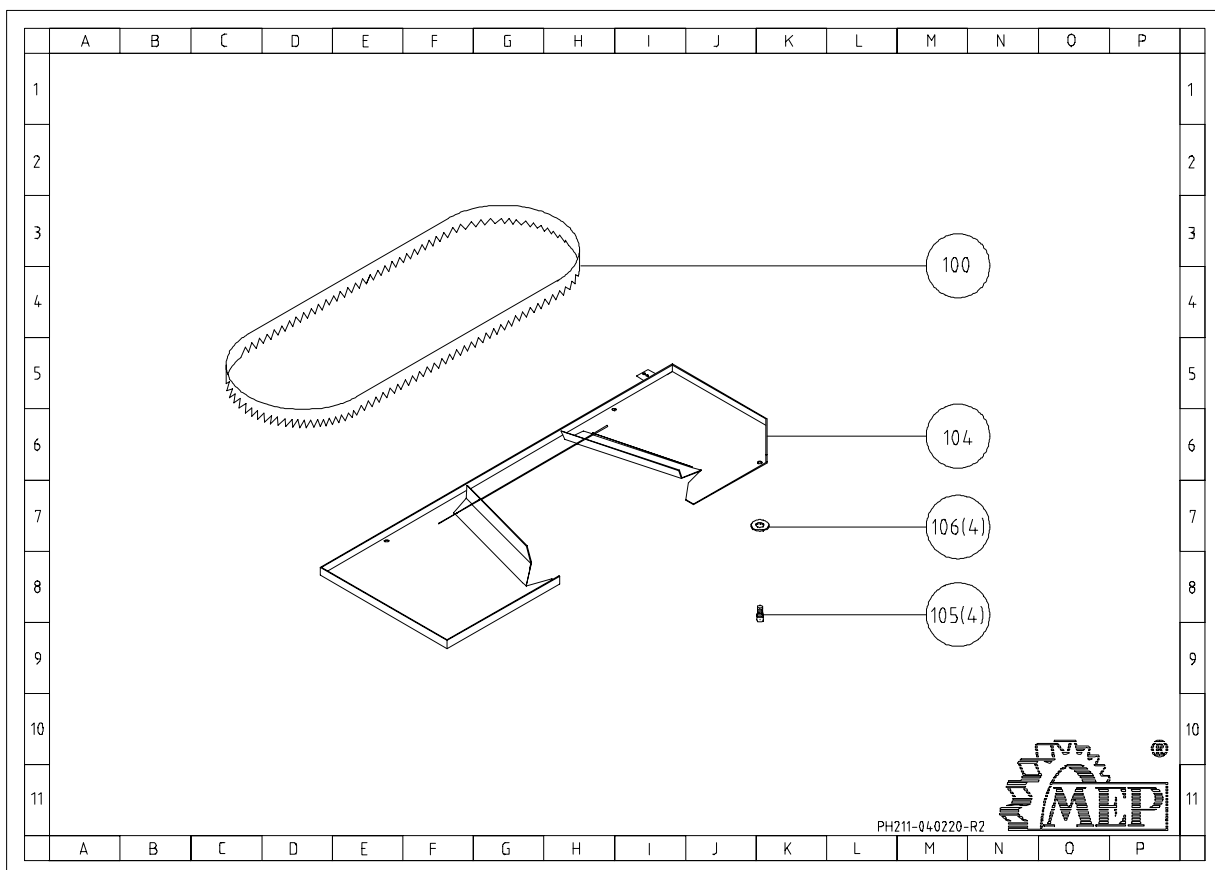
NR.	Art. NR.	Benaming	Hoeveelheid
37	010.2140	BEARING SHAFT	1
43	010.3336	ECCENTRIC GUIDE	1
44	025.0901	BEARING 608-2Z	5
45	010.1201	C-RETAINER RING Ø 8	2
46	010.3337	ECCENTRIC GUIDE	1
51	010.1201	HEX. NUT M10XP1	2
52	010.1201	SPRING WASHER M10	2
53	016.1172	BLADE COVER (REAR)	1
54	010.2393	BLADE ADJUSTABLE (REAR)	1
58-1	010.0868	BRUSH SUPPORT	1
58-2	025.0552	BRUSH	1
58-3	010.2068	BUSHING	1
58-4	010.4062	SPRING	1
58-5	010.1201	HEX. SOCKET HEADLESS SCREW M6X10L	1
58-6	010.2069	BUSHING	1
58-7	010.1698	BEARING SPACER	1
82	043.0655	VALVE 1/8"	1
111	010.1201	ROUND HEAD SCREW M5X15L	2
112	010.1201	WASHER M5	2
113	010.1201	WASHER M5	1
114	010.1201	ROUND HEAD SCREW M5X12L	1

NR.	Art. NR.	Benaming	Hoeveelheid
22	010.1201	ROUND HEAD SCREW M8X25L	2
23	010.1201	HEX. SOCKET HEADLESS SCREW M6X15L	4
25	010.2353	BLADE ADJUST STICK	1
27	034.1116	PLUM HANDLE M6X15L	1
37	010.2140	BEARING SHAFT	1
38	010.2392	BLADE ADJUST (FRONT)	1
43	010.3336	ECCENTRIC GUIDE	1
44	025.0901	BEARING 608-2Z	5
45	010.1201	C-RETAINER RING Ø8	2
46	010.3337	ECCENTRIC GUIDE	1
47	010.1201	ROUND HEAD SCREW M5X12L	2
48	016.1171	BLADE COVER (FRONT)	1
50	010.1201	WASHER M5	2
51	010.1201	HEX. NUT M10XP1	2
52	010.1201	SPRING WASHER M10	2
66	010.1201	WASHER M8	2
82	043.0655	VALVE 1/8"	1

Assemblage gedreven wiel en drijf wiel



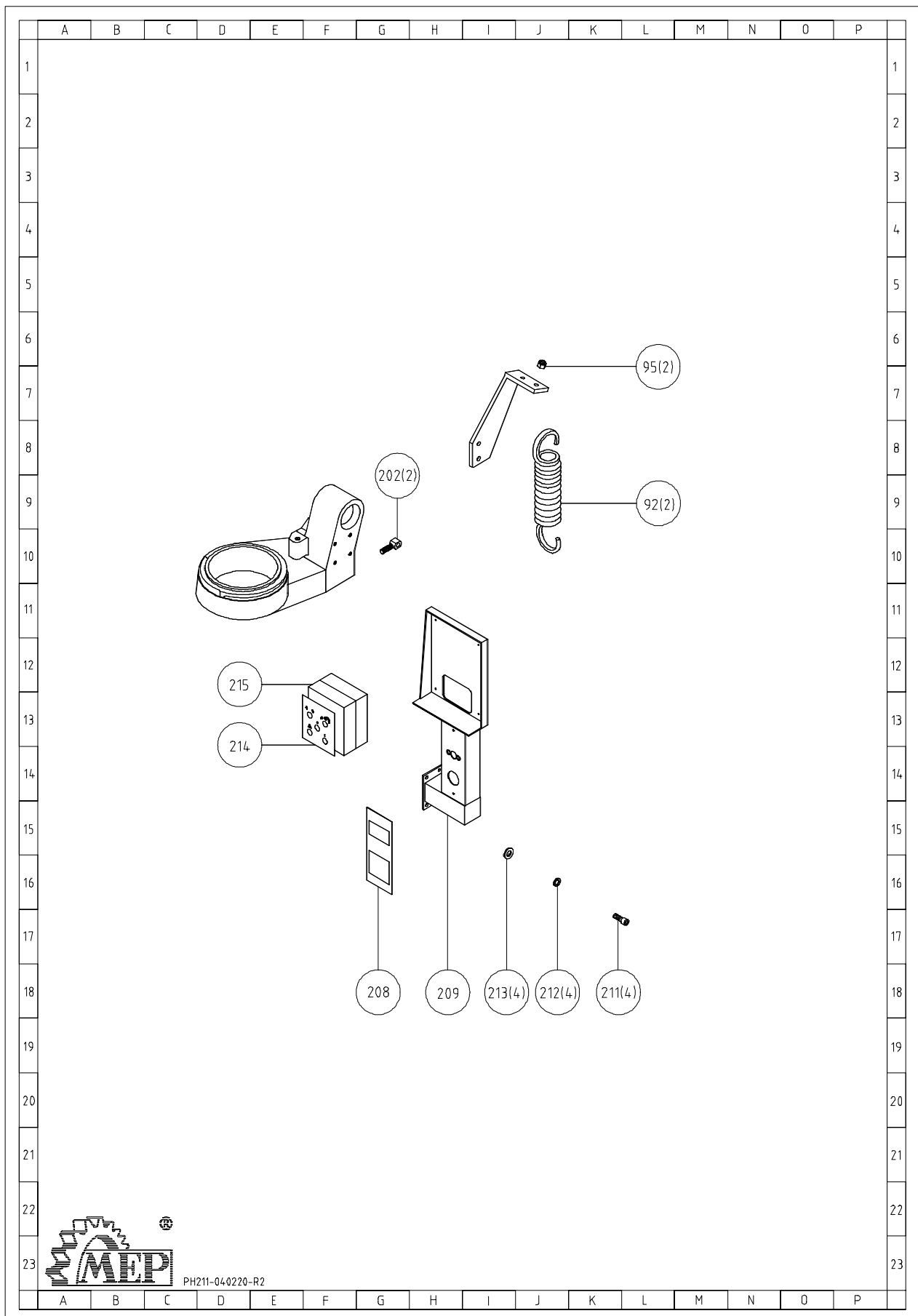
Assemblage achterste bescherming zaagblad



NR.	Art. NR.	Benaming	Hoeveelheid
5	025.0273	ANTI-CHIP COVER	1
6	025.0072	TAPERED BEARING 32004	1
96	001.6102	IDLER WHEEL	1
99	010.0363	NUT M20XP1 (AN04)	1
101	001.6103	DRIVE WHEEL	1
102	010.1201	DRIVE SHAFT WASHER	1
103	010.1201	HEX. HEAD SCREW M10X25L	1

NR.	Art. NR.	Benaming	Hoeveelheid
100	031.0876	BLADE 208.5X20X0.9X5/8T	1
104	016.0949	BLADE BACK COVER	1
105	034.1110	HEX. SOCKET HEAD SCREW M6X13L	4
106	010.1201	WASHER M6	4

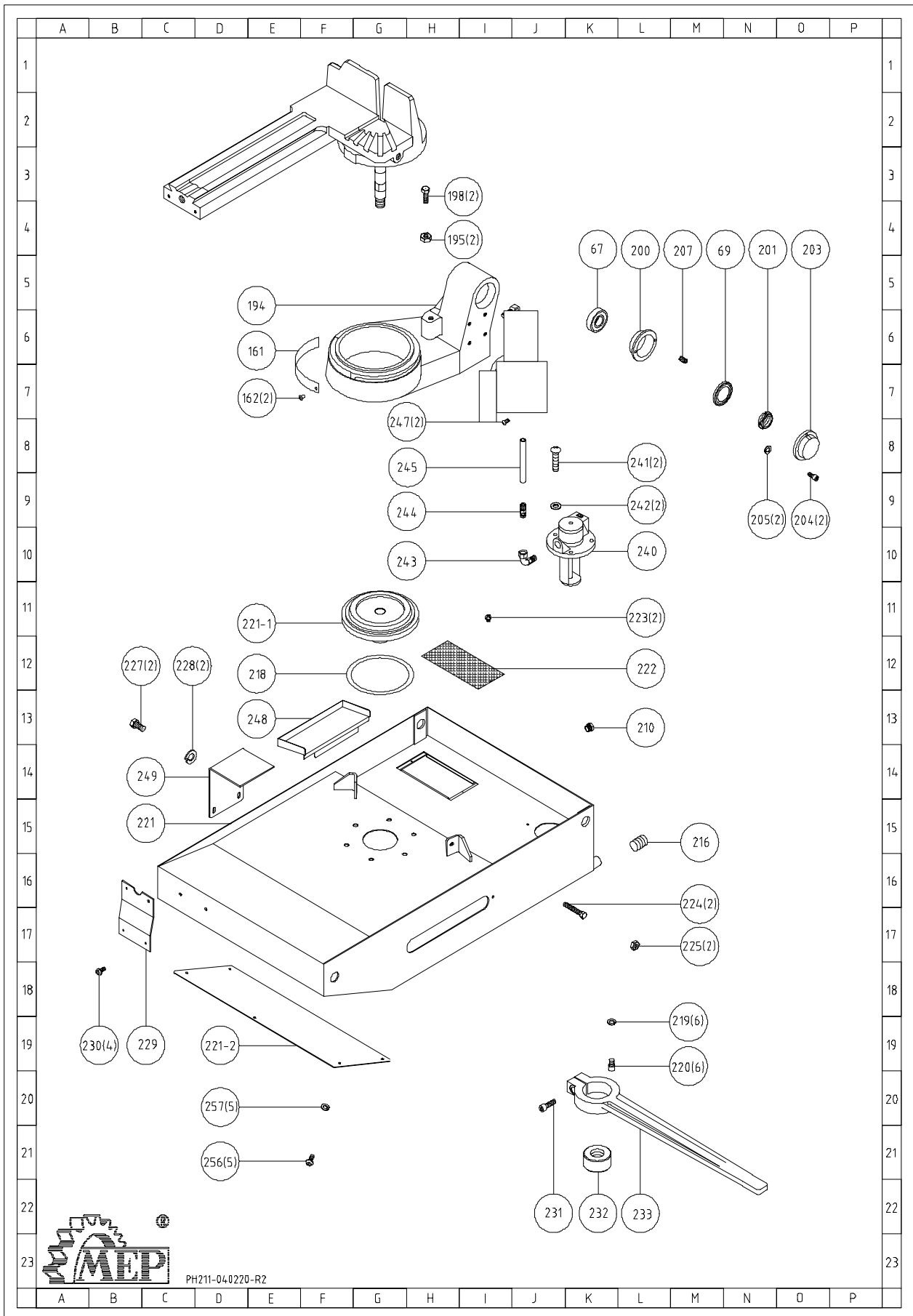
Assemblage bedieningspaneel



PH211-04.0220-R2

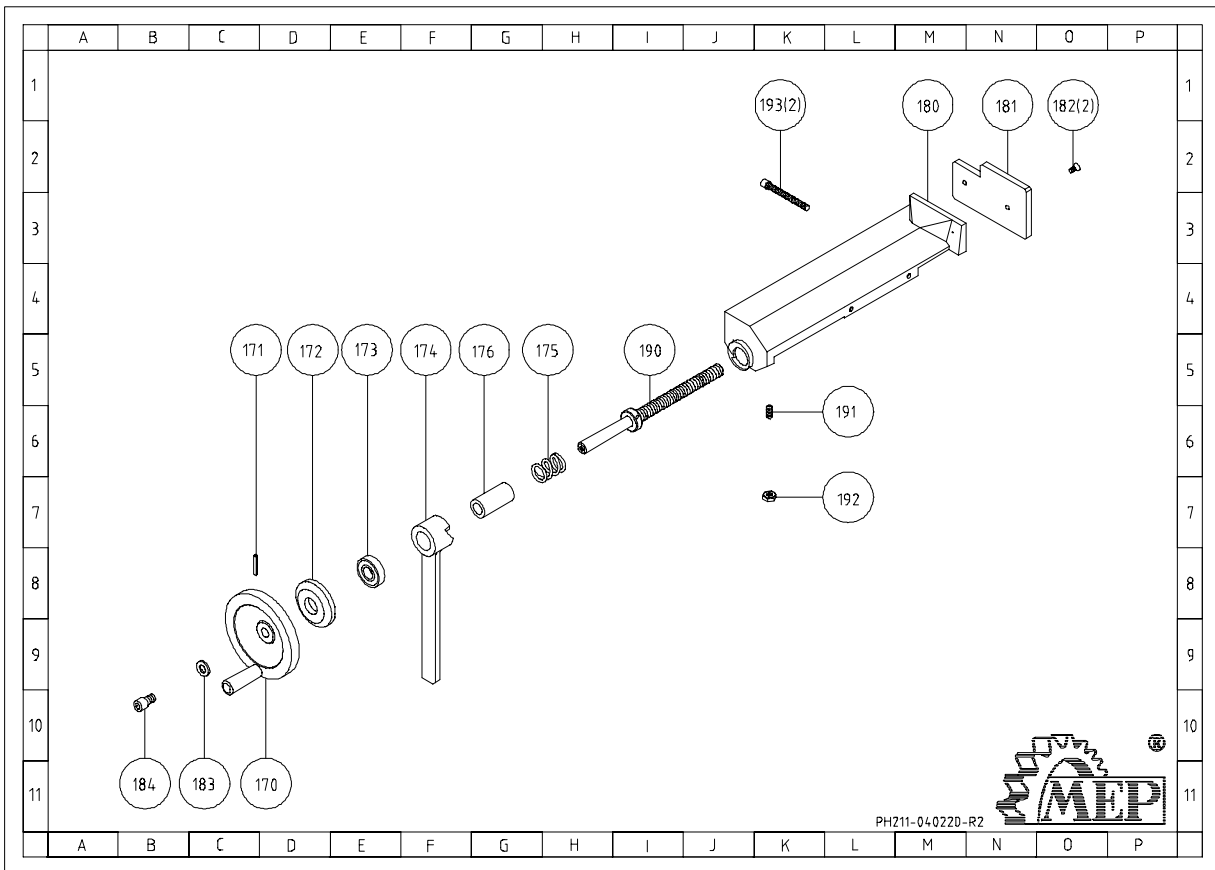
NR.	Art. NR.	Benaming	Hoeveelheid
92	010.4061	SPRING	2
95	010.1201	LOCK NET M10	2
202	010.1682	BOLT	2
208	031.5002	WARNING PASTER	1
209	016.0232	CONTROL BOX BASE	1
211	010.1201	HEX. SOCKET HEAD SCREW M8X15L	4
212	010.1201	SPRING WASHER M8	4
213	010.1201	WASHER M8	4
214	367.9133	LABLE FOR NAME PLATE	1
215	367.9133	CONTROL SWITCH ASSEMBLY	1
282	034.1251	KNOB	1
283	010.1201	HEX. SOCKET HEAD SCREW M8X15L	2
284	010.1201	HEX.NUT M8	2
285	010.1201	SPRING WASHER M8	2

Assemblage basis

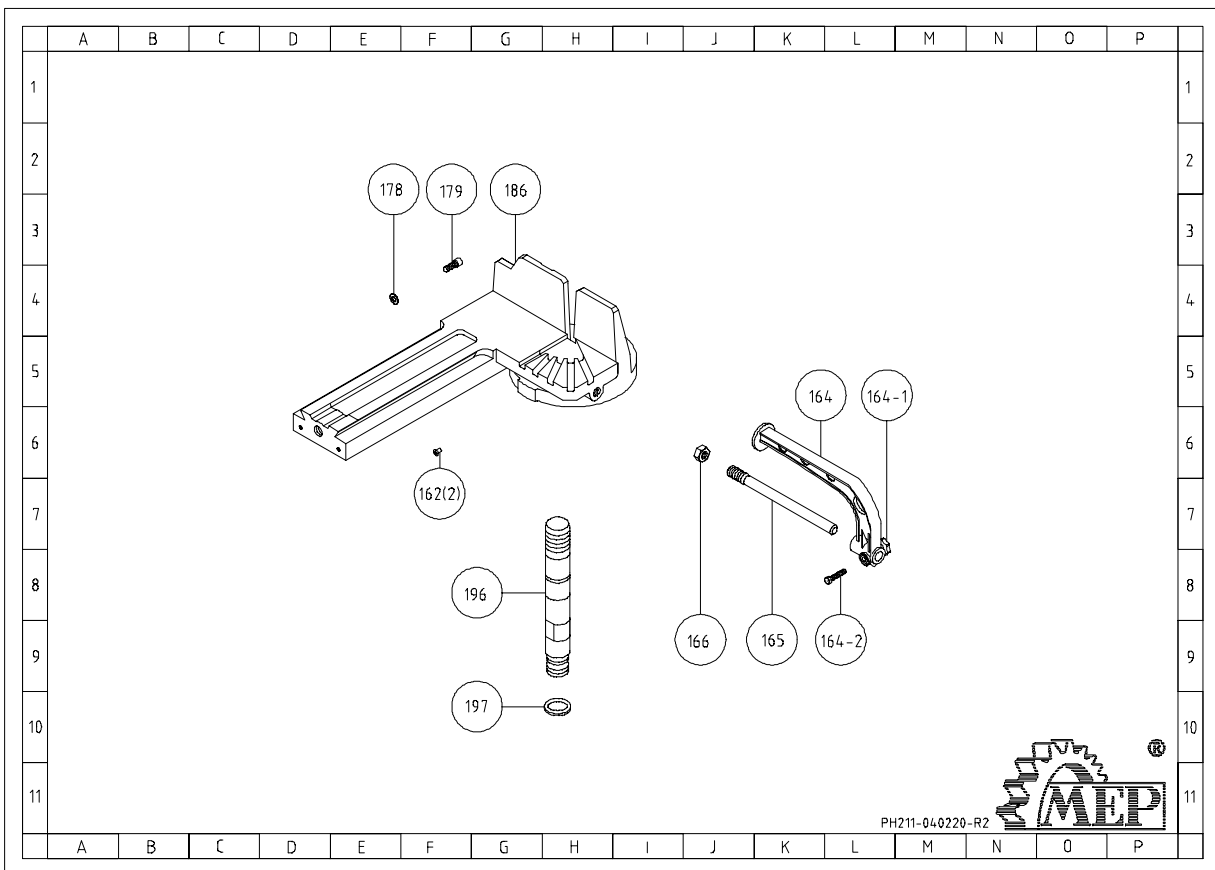


NR.	Art. NR.	Benaming	Hoeveelheid
67	025.0967	TAPERED BEARING 32006	1
69	025.0277	ANTI-CHIP COVER	1
161	031.5001	SCALE	1
162	010.1201	RIVET Ø 2X6	2
194	001.6106	SWIVEL ARM	1
195	010.1201	HEX. NUT M10	2
198	010.1201	HEX. HEAD SCREW M10X45L	2
200	010.2070	BUSHING	1
201	010.0354	NUT AN04	1
203	010.2083	COVER	1
204	010.1201	HEX. SOCKET HEAD SCREW M6X15L	2
205	010.1201	SPRING WASHER M6	2
207	010.1201	HEX. SOCKET HEADLESS SCREW M6X15L	1
210	034.0900	OIL LEVEL GAGE	1
216	034.0903	HEX SOCKET PLUG 3/8" PT	1
218	025.0255	O-RETAINER RING ID170X5.7W	1
219	010.1201	SPRING WASHER M10	6
220	010.1201	HEX. SOCKET HEAD SCREW M10X20L	6
221	013.0202	STAND	1
221 - 1	001.6107	SWIVEL ARM BASE	1
222	016.0193	FILTER	1
223	010.1201	CROSS ROUND HEAD SCREW M4X8L	2
224	010.1201	HEX. HEAD SCREW M10X50L	2
225	010.1201	HEX. NUT M10	2
227	010.1201	HEX. HEAD SCREW M10X25L	2
228	010.1201	SPRING WASHER M10	2
229	016.1246	FIXED PLATE	1
230	010.1201	ROUND HEAD SCREW M6X10L	4
231	010.1201	HEX. SOCKET HEAD SCREW M10X35L	1
232	010.3463	NUT	1
233	001.6001	ADJUSTABLE HANDLE	1
240	028.0271	COOLING PUMP 1/8HP	1
241	010.1201	CROSS ROUND HEAD SCREW M6X15L	2
242	010.1201	SPRING WASHER M6	2
243	043.0227	MICRO CONTROL BLOCK 3/8"X3/8"	1
244	043.0204	STRAIGHT CONNECTOR 3/8"X1/4"	1
245	028.0193	PU TUBE Ø 8X1300L	1
247	010.1201	CROSS ROUND HEAD SCREW M5X10L	2
248	016.0192	FLUID COLLECTED PLATE	1
249	016.1040	FEED SUPPORT	1

Assemblage spanklem (A)



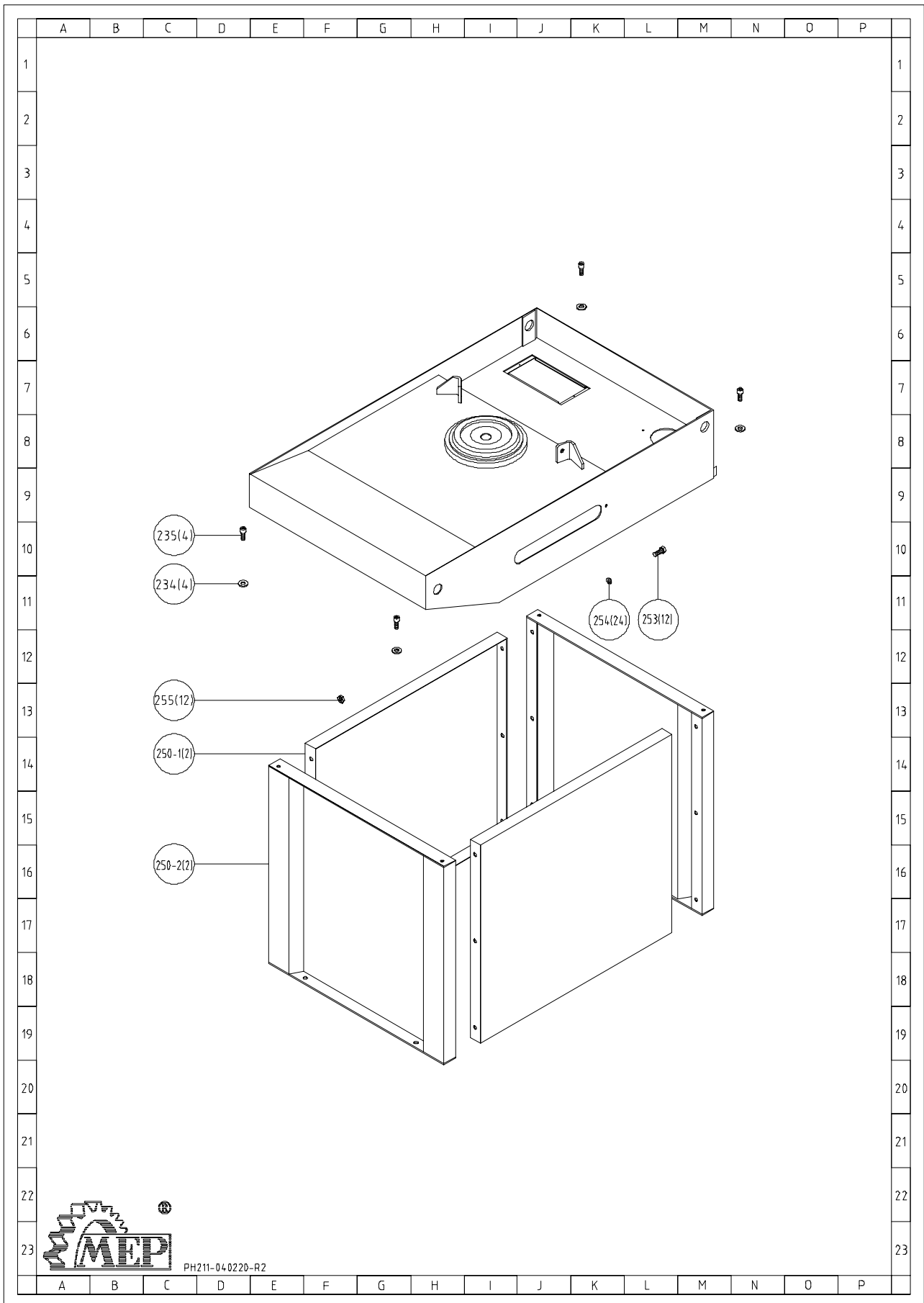
Assemblage spanklem (B)



NR.	Art. NR.	Benaming	Hoeveelheid
170	034.0293	HANDWHEEL	1
171	010.1201	PIN Ø 5X35	1
172	010.2085	BEARING COVER	1
173	025.0965	BEARING Ø 30X Ø 47X3.5	1
174	001.6002	WISE HANDLE	1
175	010.0892	SPRING	1
176	010.1700	BUSHING	1
180	001.6108	WISE JAW BRACKET	1
181	010.0528	WISE	1
182	010.1201	HEX. SOCKET FLAT HEAD SCREW M6X12L	2
183	010.1201	WASHER M6	1
184	010.1201	HEX. SOCKET HEAD SCREW M6X20L	1
190	010.0237	LEADSCREW A	1
191	010.1201	HEX. SOCKET HEADLESS SCREW M8X20L	1
192	010.1201	HEX. NUT M8	1
193	010.1201	HEX. SOCKET HEAD SCREW M6X120L	2

NR.	Art. NR.	Benaming	Hoeveelheid
162	010.1201	RIVET Ø 2X6	2
164	034.0104	DISTANCE SET BRACKET	1
164-1	034.0104	PLUM HANDLE	1
164-2	010.1201	HEX. HEAD SCREW M6X30L	1
165	010.2355	DISTANCE SET ROD	1
166	010.1201	HEX. NUT M14XP1.5	1
178	010.1201	WASHER ID Ø 6.5 OD Ø 18	1
179	010.1201	HEX. SOCKET HEAD SCREW M6X15L	1
186	001.6109	WISE JAW BRACKET	1
196	010.3705	WISE JAW ADJUSTABLE ROD	1
197	025.0257	O-RETAINER RING Ø 19.8 OD Ø 2.4	1

Assemblage steunpoot



PH211-04.0220-R2

NR.	Art. NR.	Benaming	Hoeveelheid
234	010.1201	Washer m10	4
235	010.1201	HEX. SOCKET HEAD SCREW M10X20L	4
250-1	013.0203	STAND LEG (FRONT)	2
250-2	013.0203	STAND LEG (RIGHT) (LEFT)	2
253	010.1201	HEX. HEAD SCREW M8X20L	12
254	010.1201	WASHER M8	24
255	010.1201	HEX. NUT M8	12