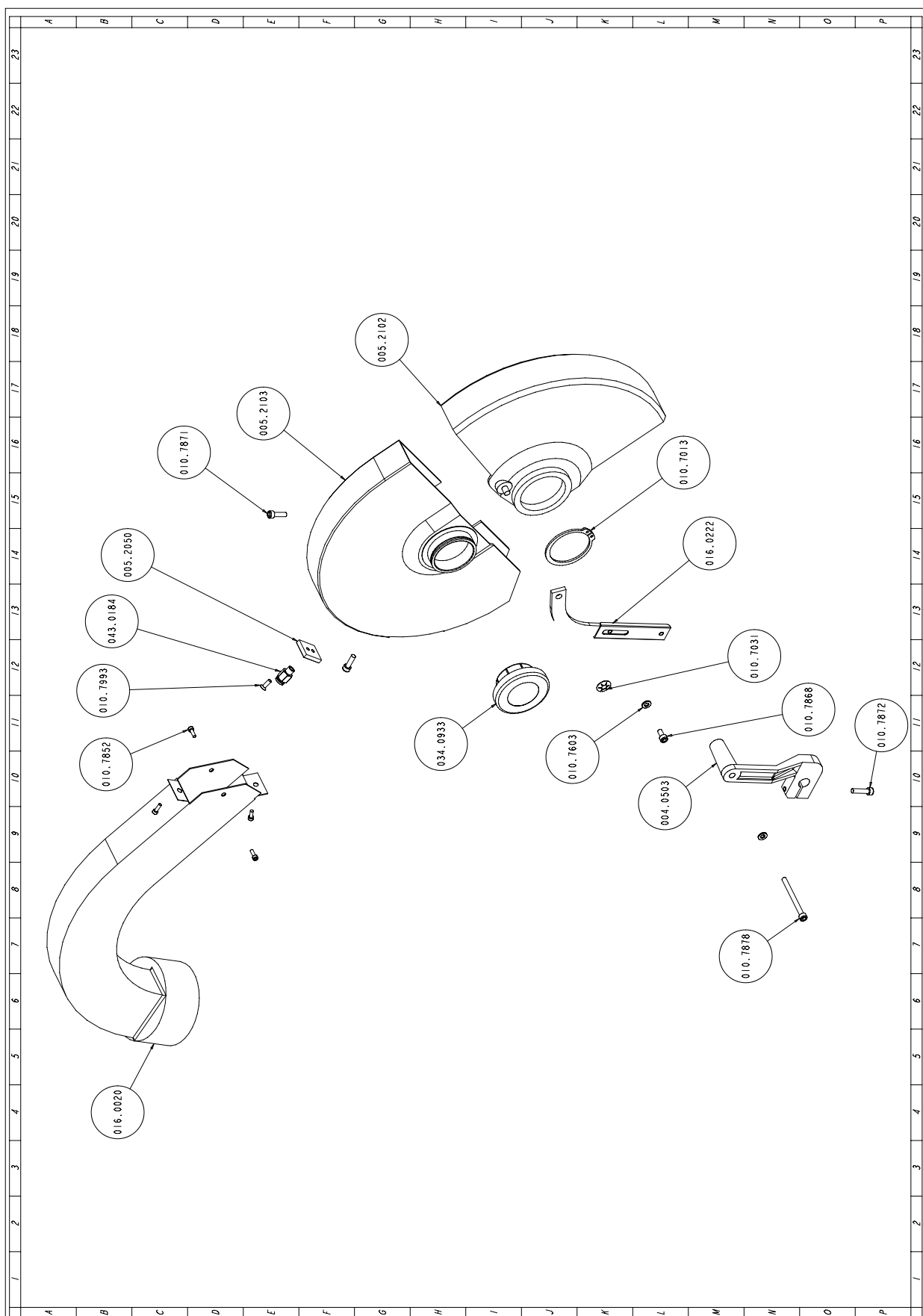


5.2 - Esplosietekeningen en reserve-onderdelen

Het nu volgende deel betreft de explosietekeningen van de machine die, gezien de volledigheid van de details, kunnen helpen deze machine diepgaander te kennen.

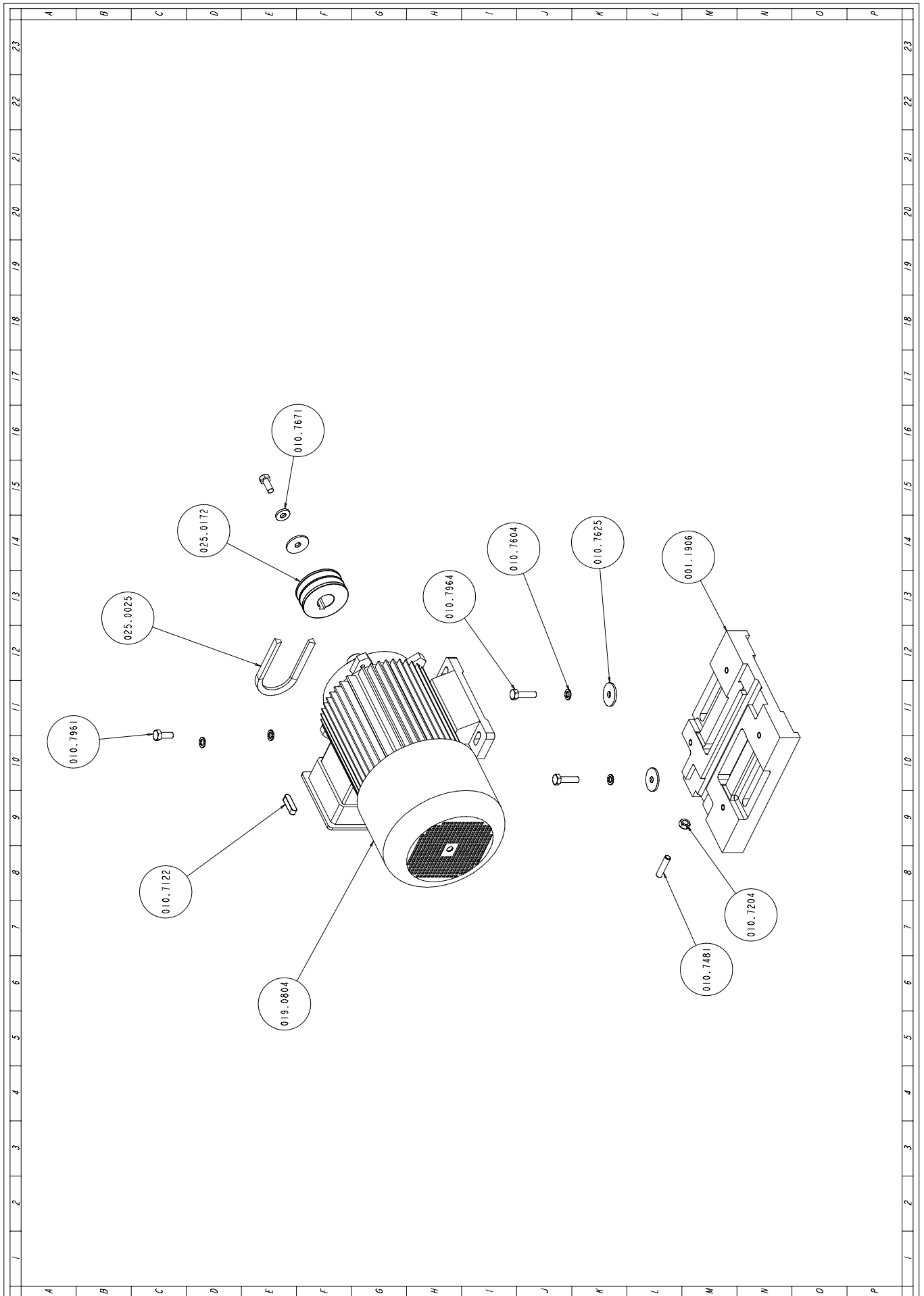
5.2.1 - Eenheid ter afdekking zaagblad



Reserve-onderdelen

Code	Description	U. of M.	Quantity
004.0503	PROTECTION ROD SUPPORT	NR	1,000
005.2050	TAP COVER	NR	1,000
005.2102	BLADE PROTECTION	NR	1,000
005.2103	BLADE COVER	NR	1,000
010.7013	0 62 SEEGER RING	NR	1,000
010.7031	SK 0 8 SEEGER RING	NR	1,000
010.7603	0 6 WASHER	NR	2,000
010.7852	TCEI 4 X 12 SCREW	NR	4,000
010.7868	TCEI 6 X 12 SCREW	NR	1,000
010.7871	TCEI 6 X 20 SCREW	NR	2,000
010.7872	TCEI 6 X 25 SCREW	NR	1,000
010.7878	TCEI 6 X 70 SCREW	NR	1,000
010.7993	TSPEI 5 X 12 SCREW	NR	1,000
016.0020	SWARF CONVEYOR	NR	1,000
016.0222	GUARD BRACKET	NR	1,000
034.0933	BLADE COVER TAP	NR	1,000
043.0184	HEX COUPLING 6X1/8 CL 6511	NR	1,000

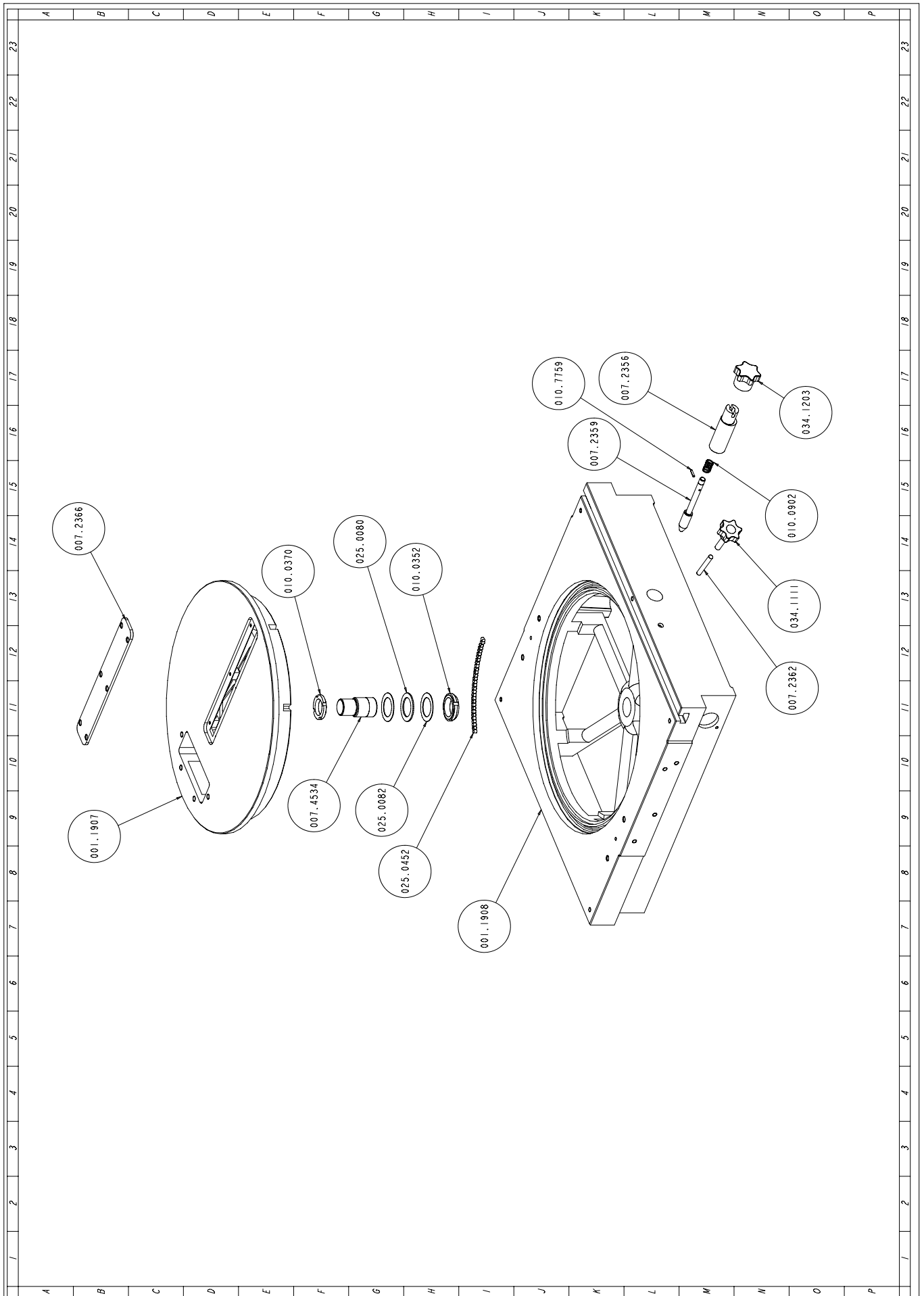
5.2.2 - Zaagmotor



Reserve-onderdelen

Code	Description	U. of M.	Quantity
001.1906	MOTOR PLANE CB 350 MOD.306	NR	1,000
010.7122	8 X 8 X 32 KEY	NR	1,000
010.7204	M8 SCREW NUT	NR	1,000
010.7481	8 X 35 FLAT POINT VCE GRUB SCREW	NR	1,000
010.7604	0 8 WASHER	NR	6,000
010.7625	0 8 X 32 WASHER	NR	3,000
010.7671	THICKNESS WASHER DIAM. 8 X 3	NR	1,000
010.7961	TE 8 X 20 SCREW	NR	5,000
010.7964	TE 8 X 30 SCREW	NR	2,000
019.0804	HP 2/3 2/4P 2S.V.380 C90L	NR	1,000
025.0025	BELT SPZ 900 S.TX	NR	1,000
025.0172	WHEEL 60X2 SPZ HOLE 24	NR	1,000

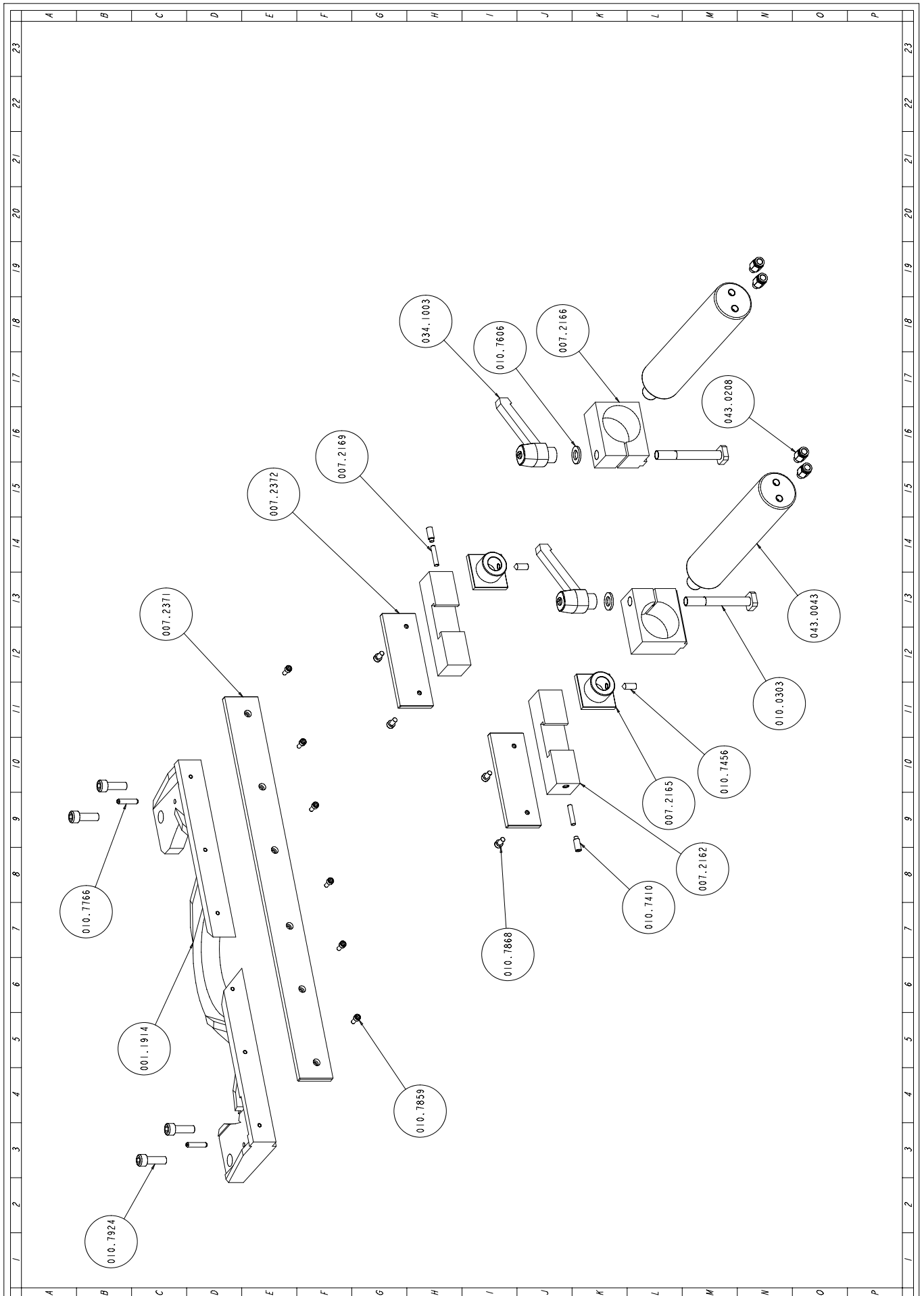
5.2.3 - Draaitafel



Reserve-onderdelen

Code	Description	U. of M.	Quantity
001.1907	ROTATING TABLE CB 350 N.S. MOD.333	NR	1,000
001.1908	BASE CB 350 N.S. MOD.332	NR	1,000
007.1282	CUT TO MEASURE ROD FC-CB-SH 200	NR	1,000
007.2356	ECCENTRIC CB 350 N.S.	NR	1,000
007.2359	PIN CB 350 N.S.	NR	1,000
007.2362	LOCKING PIN CB 350	NR	1,000
007.2366	ROTATING TABLE PLATE CB 350	NR	1,000
007.4534	CENTRE PIN SH 200 - CB 350	NR	1,000
010.0352	SELF-LOCKING RING NUT 35X1,5 CN-TI-SH-FC	NR	1,000
010.0370	RING NUT 5S 30X1,5 SH200-260-280	NR	1,000
010.0801	ROLLER 304011 0 24 CB-TI-FC	NR	1,000
010.0802	ROLLER SUPPORT CB-TI-FC	NR	2,000
010.0902	HEAD FIXED POINT SPRING	NR	1,000
010.7218	M8 LOW SCREW NUT	NR	2,000
010.7221	M16 LOW SCREW NUT	NR	1,000
010.7450	6 X 6 CYLINDRICAL POINT VCE GRUB	NR	2,000
010.7460	8 X 12 CONICAL POINT VCE GRUB SCREW	NR	2,000
010.7604	0 8 WASHER	NR	2,000
010.7671	THICKNESS WASHER DIAM. 8 X 3	NR	2,000
010.7759	ELASTIC PIN DIAM. 3 X 16	NR	1,000
010.7893	TCEI 8 X 20 SCREW	NR	2,000
010.7961	TE 8 X 20 SCREW	NR	2,000
016.1030	BAR SUPPORT ARM SC 315-CB	NR	1,000
025.0080	AXIAL CAGE WITH ROLLERS AXK 3552	NR	1,000
025.0082	WASHER AS 3552	NR	2,000
025.0452	ROLLERS 6X6 AISI 420	NR	30,000
034.0101	LARGE CUT TO MEASURE STOP	NR	1,000
034.1111	O 30 M10 X 40 HANDWHEEL	NR	1,000
034.1203	MEP MADE HANDWHEEL M10	NR	1,000

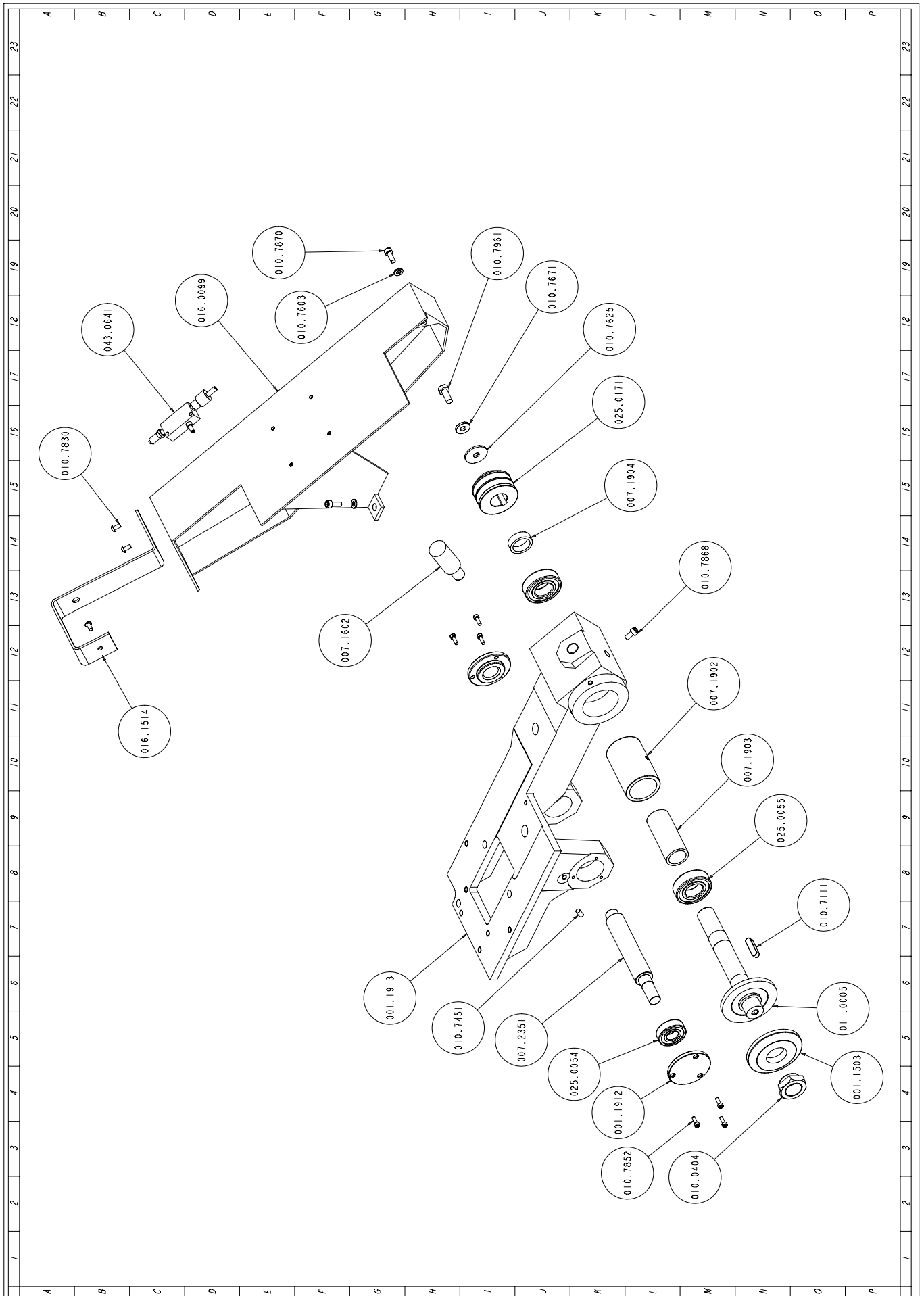
5.2.4 - Klemgroep



Reserve-onderdelen

Code	Description	U. of M.	Quantity
001.1914	VICE BACK STOP CB 350 MOD.313	NR	1,000
007.2162	VICE JAW CB 349/350	NR	2,000
007.2165	VICE JAW SUPPORT CB 349/350	NR	2,000
007.2166	VICE SLEEVE SUPPORT CB SX-AX-CNC	NR	2,000
007.2169	JAW LOCKING PIN CB 349/350	NR	2,000
007.2371	50X8 ADDITIONAL FIXED JAW CB 350	NR	1,000
007.2372	50X8 ADDITIONAL MOBILE JAW CB 350	NR	2,000
010.0303	SCREW 22X22 M12X95 CB 350 AX-CNCFE	NR	2,000
010.7410	8 X 16 CYLIND.POINT VCE GRUB SCREW	NR	2,000
010.7456	8 X 16 CONICAL POINT VCE GRUB SCREW	NR	2,000
010.7606	0 12 WASHER	NR	2,000
010.7766	ELASTIC PIN DIAM. 6 X 30	NR	2,000
010.7859	TCEI 5 X 12 SCREW	NR	6,000
010.7868	TCEI 6 X 12 SCREW	NR	4,000
010.7924	TCEI 10 X 30 SCREW	NR	4,000
034.1003	LEVER 12 MA	NR	2,000
043.0043	VICE CYLINDER 0 50 CB AX-CNC	NR	2,000
043.0202	8X1/8 - CL 6511 HEXAGONAL COUPLING	NR	4,000

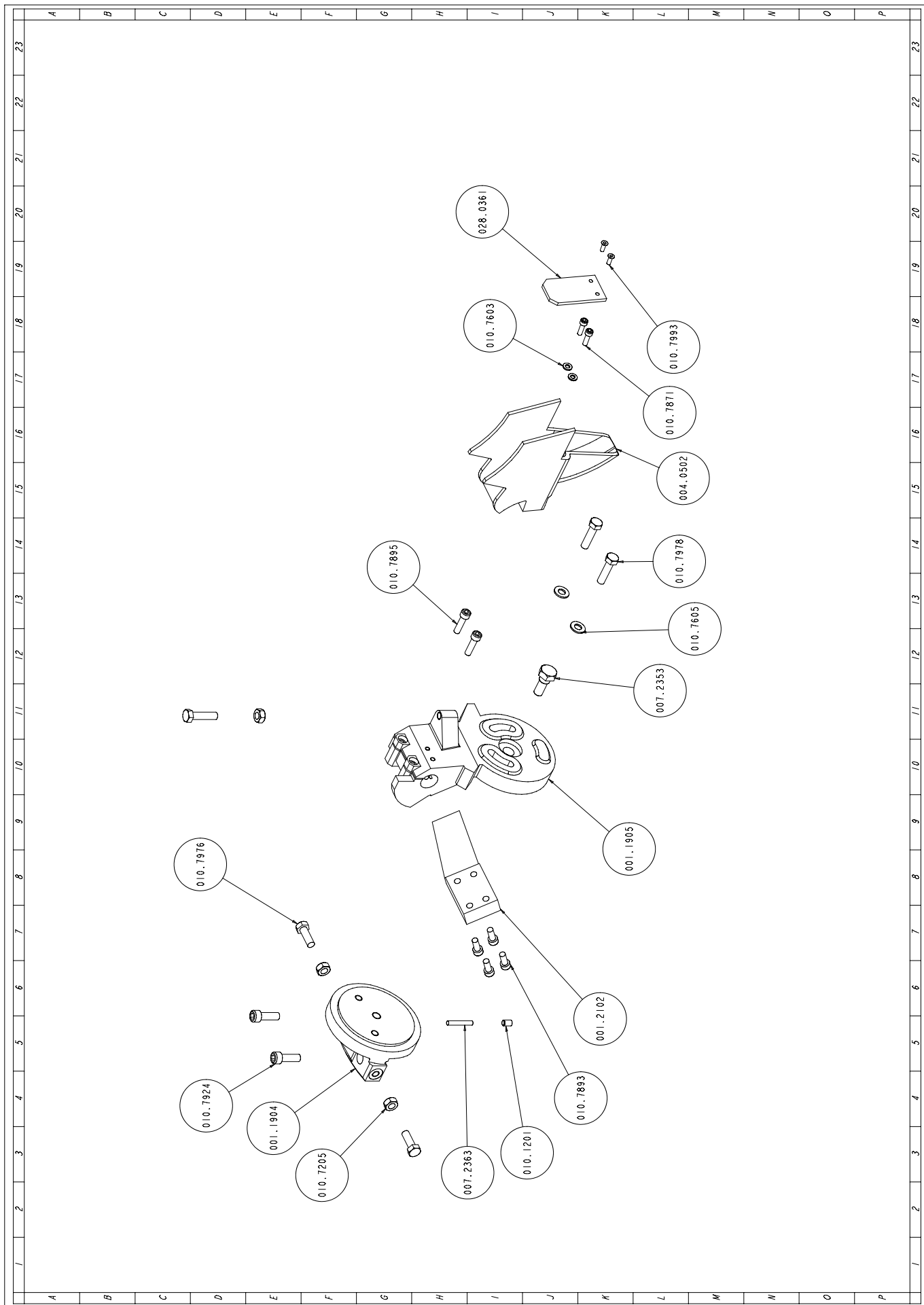
5.2.5 - Hoofd eenheid



Reserve-onderdelen

Code	Description	U. of M.	Quantity
001.1503	OUTER FLANGE CB 350 MOD.253	NR	1,000
001.1912	COVER CB 350 MOD.311	NR	2,000
001.1913	PLATFORM CB 350 MOD.312	NR	1,000
007.1602	MANUAL CONTROL ROD CB 350 SX-AX-CNC	NR	1,000
007.1902	EXT.BEARING SPACER CB 300/349/350	NR	1,000
007.1903	INT. BEARING SPACER CB 300/349/350	NR	1,000
007.1904	WHEEL SPACER CB 300/349/350	NR	1,000
007.2351	HEAD PIVOT SUPPORT PIN CB 350	NR	1,000
010.0404	M M.25 P.HEX NUT 2 RA-CB 350	NR	1,000
010.7111	8 X 7 X 32 KEY	NR	1,000
010.7451	6 X 12 CONICAL POINT VCE GRUB SCREW	NR	1,000
010.7603	0 6 WASHER	NR	2,000
010.7625	0 8 X 32 WASHER	NR	1,000
010.7671	THICKNESS WASHER DIAM. 8 X 3	NR	1,000
010.7830	5 X 10 BUTON SCREW	NR	3,000
010.7852	TCEI 4 X 12 SCREW	NR	6,000
010.7868	TCEI 6 X 12 SCREW	NR	1,000
010.7870	TCEI 6 X 16 SCREW	NR	2,000
010.7961	TE 8 X 20 SCREW	NR	1,000
011.0005	BLADE SHAFT CB 349/350	NR	1,000
016.0099	BELT COVER CB 350	NR	1,000
016.1514	SWARF CONVEYOR FIX BRACKET CB 350	NR	1,000
025.0054	BEARING 62.03 2Z	NR	1,000
025.0055	BEARING 62.05 2Z C3	NR	2,000
025.0171	WHEEL 50X2 SPZ HOLE 24	NR	1,000
043.0641	T.7240201 COOLANT SPRAYER	NR	1,000

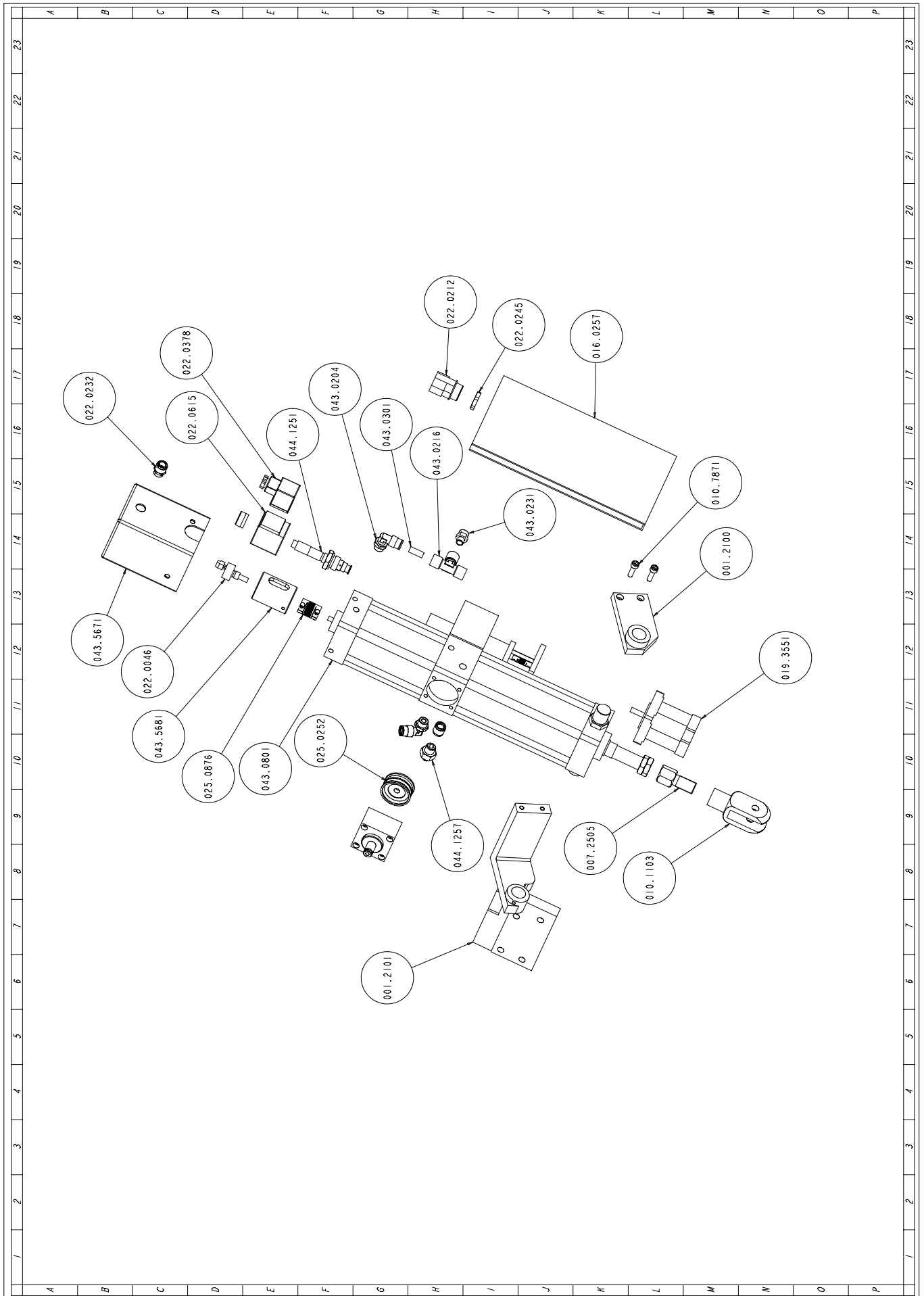
5.2.6 - Balance wheel



Reserve-onderdelen

Code	Description	U. of M.	Quantity
001.1904	SUPPORT CB 350 MOD.304	NR	1,000
001.1905	SUPPORT CB 350 MOD.305	NR	1,000
001.2102	ROD CB 350 SX-AX-CNC	NR	1,000
004.0502	FIXED PROTECTION CB 350 N.S.	NR	1,000
007.2353	HEX. SCREW CB 350	NR	1,000
007.2363	PIN CB 350	NR	1,000
010.1201	SCREWS AND BOLTS	NR	1,000
010.7205	M10 SCREW NUT	NR	3,000
010.7603	0 6 WASHER	NR	2,000
010.7605	0 10 WASHER	NR	2,000
010.7871	TCEI 6 X 20 SCREW	NR	2,000
010.7893	TCEI 8 X 20 SCREW	NR	4,000
010.7895	TCEI 8 X 30 SCREW	NR	2,000
010.7924	TCEI 10 X 30 SCREW	NR	2,000
010.7976	TE 10 X 30 SCREW	NR	2,000
010.7978	TE 10 X 40 SCREW	NR	3,000
010.7993	TSPEI 5 X 12 SCREW	NR	2,000
028.0361	BLADE COVER RUBBER JOINT CB 350	NR	1,000

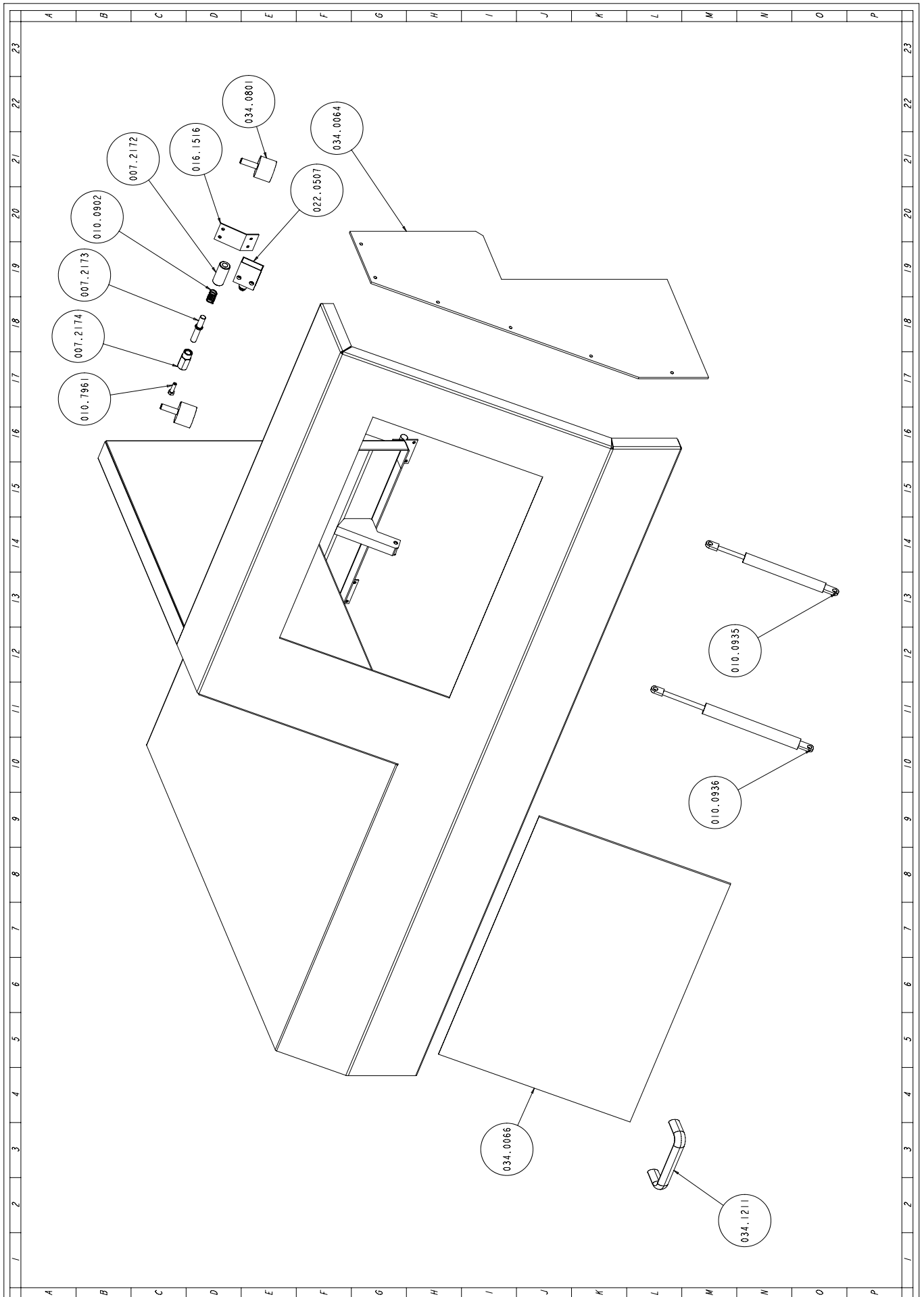
5.2.7 - Hydraulische cilinder



Reserve-onderdelen

Code	Description	U. of M.	Quantity
001.2100	OUTE SUPPORT CB SX-AX-CNC FE	NR	1,000
001.2101	BRACKET CB 350 SX-AX-CNC	NR	1,000
007.2505	FORK EXTENSION SH 280-CB 350	NR	1,000
010.1103	16 X 1,5 FORK	NR	1,000
010.7871	TCEI 6 X 20 SCREW	NR	2,000
016.0257	CYLINDER GUARD CB 350 CNCFE	NR	1,000
019.3551	MAE MOTOR MOD.HY 200 2232 190B8CNC*	NR	1,000
022.0046	6639S-001-202 POTENTIOMETER SH SX	NR	1,000
022.0212	RAPID JOINT SEM PG 16	NR	1,000
022.0232	BRASS CABLE PRESSER 1/4 BM 2450	NR	1,000
022.0245	LOCK NUT 3213B GREY PG 11	NR	1,000
022.0378	CONNECTOR F.REGENERATOR VALVE COIL	NR	1,000
022.0615	COIL X CYLINDER VALVE SH 310 SX	NR	1,000
025.0252	RING DK 40X8X20/4 PDF	NR	1,000
025.0876	JOINT WA 6-6 M M.28 FOR CYLINDER	NR	2,000
043.0204	8X1/4 - CL 6521 ELBOW COUPLING	NR	2,000
043.0216	FFF 1/4 CL 2003 T JOINT	NR	1,000
043.0231	1/8-1/8 MF CL 2520 REDUCTION	NR	1,000
043.0301	8X6 BLACK RILSAN HOSE	MT	1,000
043.0801	HYDROPNEUM.UNIT 0 63 C.70 CB AX-CNC	NR	1,000
043.5671	GUARD F.CYLINDER POTENTIOMETER	NR	1,000
043.5681	CYLINDER POTENTIOMETER SUPPORT	NR	1,000
044.1251	CYLINDER REGENERATING VALVE 310SX-AX	NR	1,000
044.1257	CYLINDER LOADING VALVE TI-CB CNC	NR	1,000

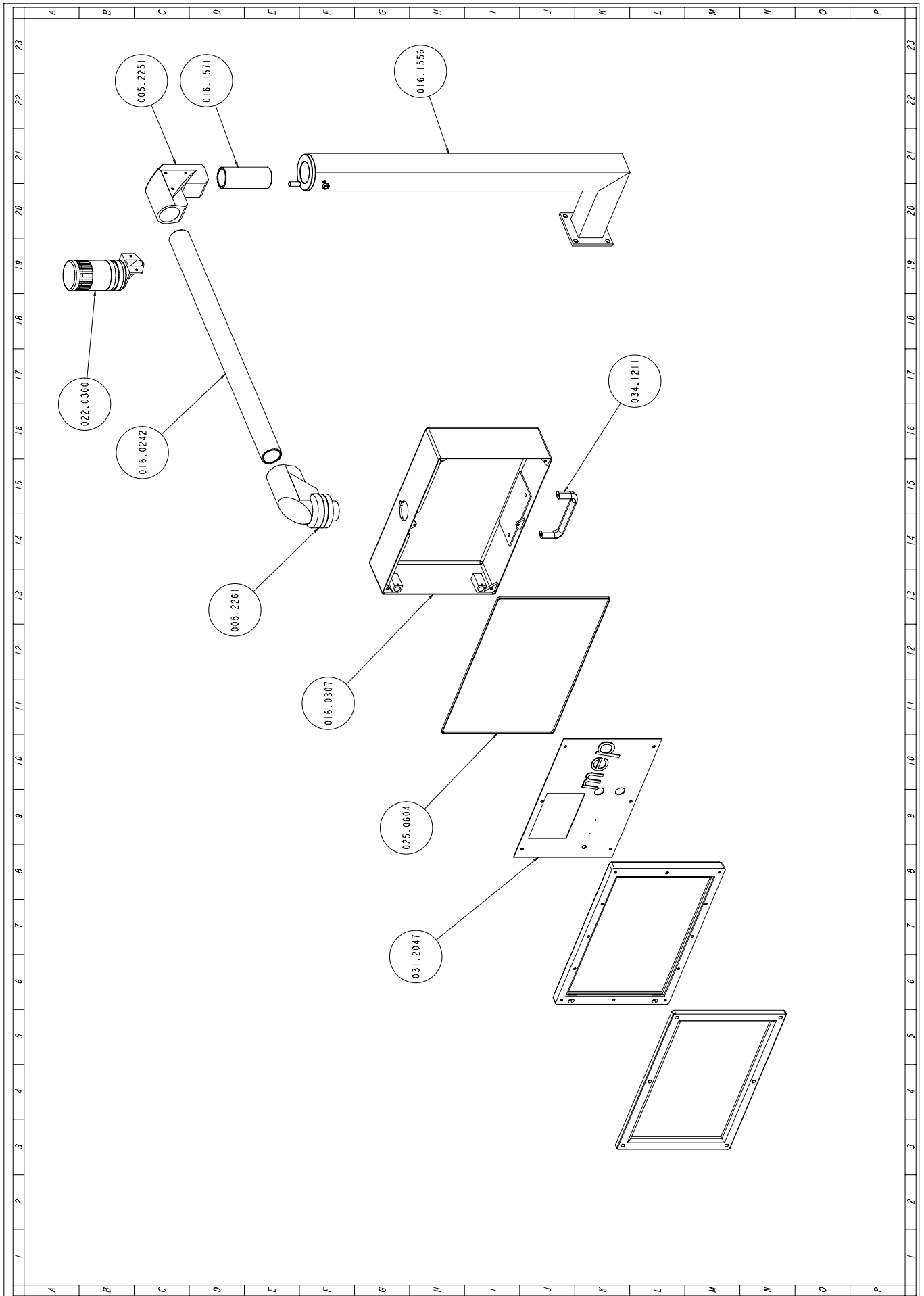
5.2.8 - Guard group



Reserve-onderdelen

Code	Description	U. of M.	Quantity
007.2172	BUSHING CB 349-350 D	NR	1,000
007.2173	LOCKING PIN CB 349/350 D	NR	1,000
007.2174	RING NUT CB 349/350 D	NR	1,000
010.0902	HEAD FIXED POINT SPRING	NR	1,000
010.0935	GAS SPRING 125 M M.400N CB AX-CNC	NR	1,000
010.0936	GAS SPRING 125MM.600N TI-CB AX-CNC SH33	NR	1,000
010.1201	SCREWS AND BOLTS	NR	1,000
016.1516	LIMIT SWITCH FIX.BRACKET CB AX-CNCFE	NR	1,000
022.0507	LIMIT SWITCH F.FEEDER CNCFE	NR	1,000
034.0064	NET LEXAN GUARD CB AX-CNCFE N.S.	NR	1,000
034.0066	FEEDER PRINTED GUARD CB AX-CNCFE	NR	1,000
034.0801	ELASTIC STOP P 40/30 CB-RA350 SH 260-270	NR	2,000
034.1211	GN-565-20-128.SW HANDLE	NR	1,000

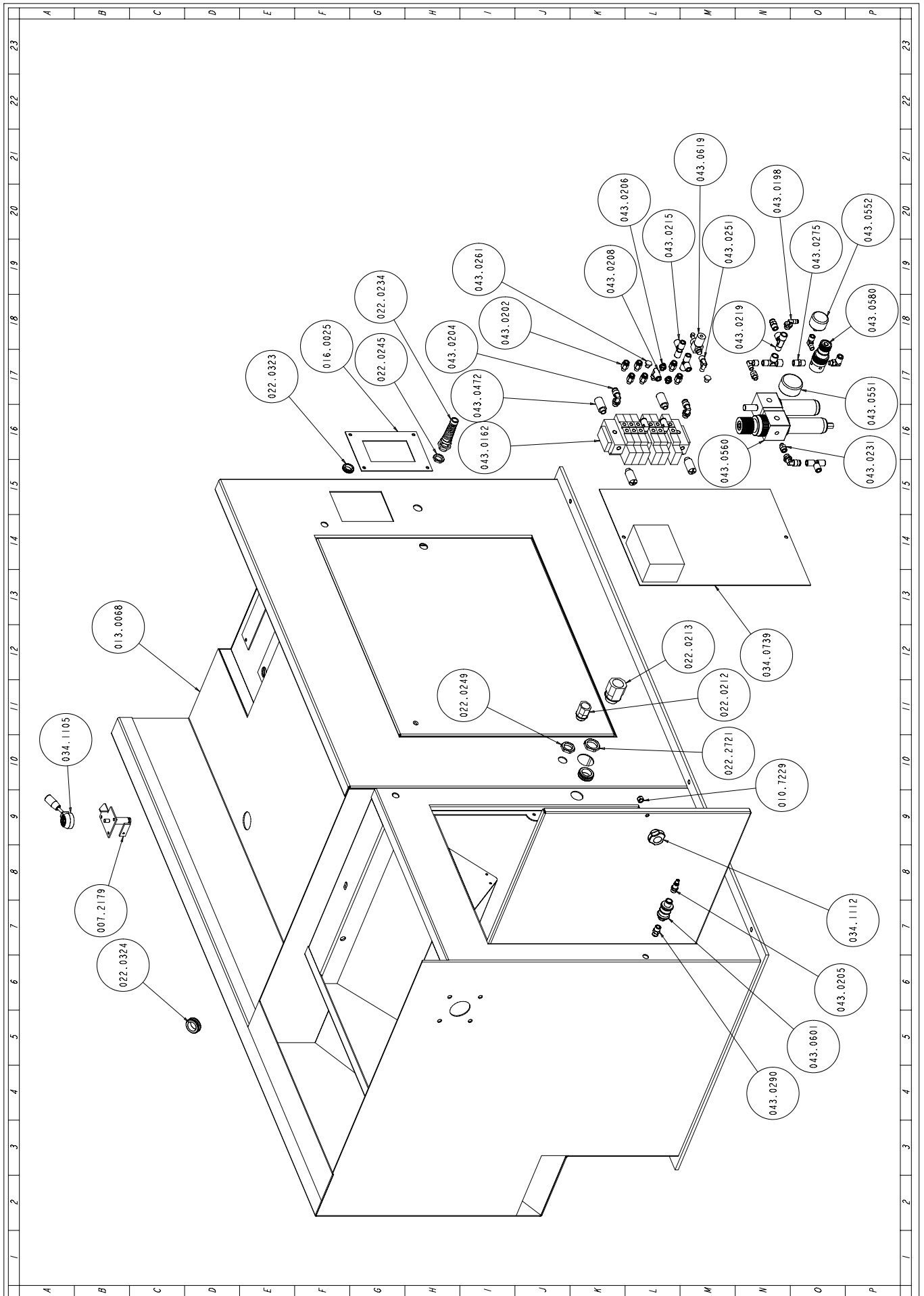
5.2.9 - Programmerings- en bedieningspaneel



Reserve-onderdelen

Code	Description	U. of M.	Quantity
005.2251	ANGLE SH AX-AXI-CNC	NR	1,000
005.2261	ANGLE COUPLING SH AX-AXI-CNC	NR	1,000
010.7204	M8 SCREW NUT	NR	1,000
016.0242	CONSOLLE MOVABLE ROD CB 350 CNCFE	NR	1,000
016.0307	CONTROL PANEL	NR	1,000
016.1556	MOVABLE ROD COLUMN CB 350 AX-CNC	NR	1,000
016.1571	SLEEVE FOR CNCFE ANGLE COMMANDER	NR	1,000
022.0360	FLASHING LIGHT 24 VAC/DC SH400CNCFE	NR	1,000
031.2047	PROGRAMMING CONSOLE CB 350 AX	NR	1,000
034.1211	GN-565-20-128.SW HANDLE	NR	1,000

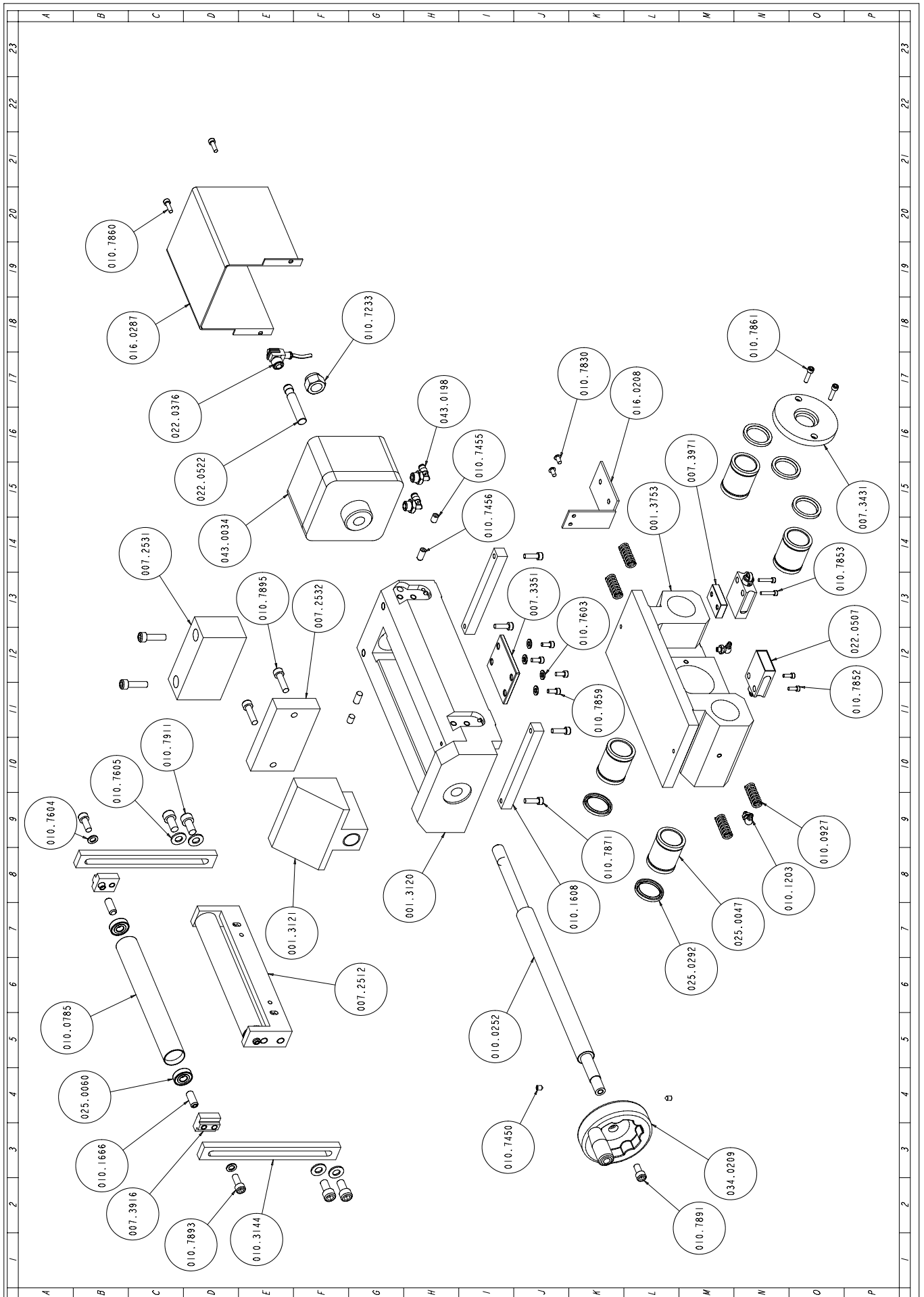
5.2.10 - Onderstel



Reserve-onderdelen

Code	Description	U. of M.	Quantity
007.2179	HEAD LOCKING SYSTEM CB 350 D	NR	1,000
010.7229	M8 SELF-LOCKING SCREW NUT	NR	1,000
013.0068	STEEL BASE CB 350 AX - CNC N.S.	NR	1,000
016.0025	MAIN SWITCH FIX PLATE	NR	1,000
022.0212	RAPID JOINT SEM PG 16	NR	1,000
022.0213	RAPID JOINT SEM PG 21	NR	1,000
022.0234	CORD PRESSER	NR	1,000
022.0245	LOCK NUT 3213B GREY PG 11	NR	1,000
022.0249	POLYAMIDE HUMMEL NUT 1.262.1600.11	NR	1,000
022.0323	FAIRLEADS 18 INC.M M.2,5	NR	1,000
022.0324	FAIRLEADS 24 INC.M M.2.5	NR	2,000
022.2721	LOCK NUT PG 21	NR	1,000
034.0739	PNEUMATIC PANEL CB 350 AX	NR	1,000
034.1105	HANDWHEEL CB 350	NR	1,000
034.1112	O 40 M8 HANDWHEEL X STEEL BASE SH	NR	1,000
043.0162	6 VALVES BLOCK CB 350 AX	NR	1,000
043.0198	4X1/4 TURNING ELBOW JOINT	NR	1,000
043.0202	8X1/8 - CL 6511 HEXAGONAL COUPLING	NR	6,000
043.0204	8X1/4 - CL 6521 ELBOW COUPLING	NR	3,000
043.0205	8X1/4 - CL 6510 HEXAGONAL COUPLING	NR	1,000
043.0206	4X1/8 - CL 6511 HEXAGONAL COUPLING	NR	2,000
043.0208	8X1/8 - CL 6521 ELBOW COUPLING	NR	4,000
043.0215	T.E. 0 8 - CL 6540 INTERMEDIATE	NR	3,000
043.0219	"MFF 1/4" CL-2070 310I T JOINT	NR	2,000
043.0231	1/8-1/8 MF CL 2520 REDUCTION	NR	2,000
043.0251	M.F. ELBOW RLA 8 -1/8 - CL 2020	NR	3,000
043.0261	1/8 TAP TTE8	NR	2,000
043.0275	A2-1/4 - CL 2500 CONICAL NIPPLE	NR	1,000
043.0290	1/4 QUICK COUPLING	NR	2,000
043.0472	1/4- PLASTIC SILENCER	NR	4,000
043.0551	RIS.52 M M. MANOMETER	NR	1,000
043.0552	MANOMETER 0 40	NR	1,000
043.0560	FR C238D00 + L C238L00	NR	1,000
043.0580	MR 1/4 O-8 REGULATOR	NR	1,000
043.0601	VMS 114-1/4 08 VALVE	NR	1,000
043.0619	PWBA1468 BLOCK INTERCEPTOR	NR	1,000

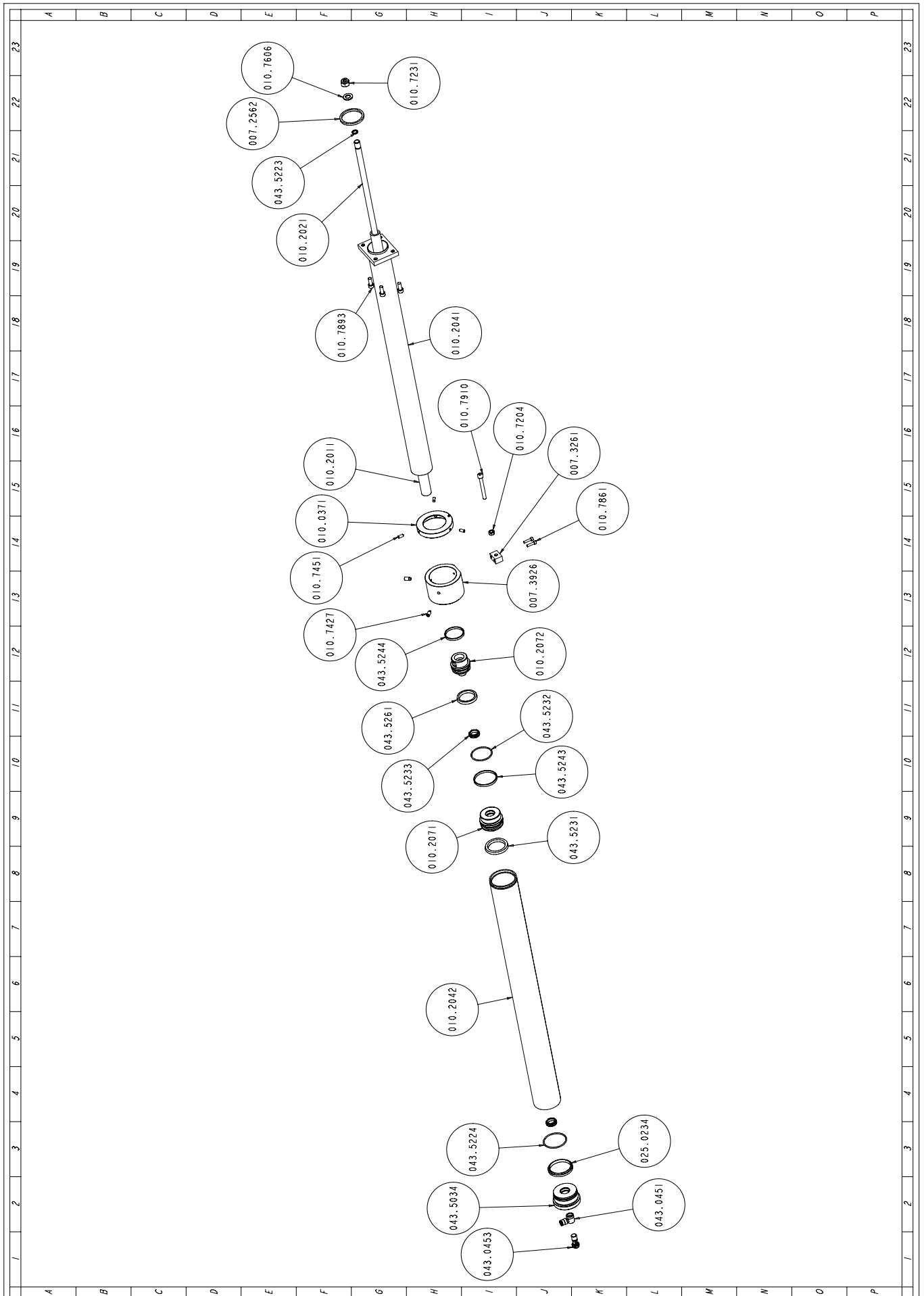
5.2.11 - Voedingseenheid



Reserve-onderdelen

Code	Description	U. of M.	Quantity
001.3120	FEEDER VICE TI-CB AX CNC FE	NR	1,000
001.3121	SCREW NUT TI-CB AX-CNC MOD.728	NR	1,000
001.3753	FEEDER CARRIAGE TI-CB AX	NR	1,000
007.2512	ROLLER SUPPORT TI-CB CNC	NR	1,000
007.2531	FEEDER FIXED VICE JAW CB-TI CNC	NR	1,000
007.2532	FEEDER MOVABLE VICE JAW	NR	1,000
007.3351	FIXING PLATE TI-CB CNC FE	NR	1,000
007.3431	FLANGE TI-CB AX	NR	1,000
007.3916	ADD. ROLLER FIXING PLATE SH 330 AXIS	NR	2,000
007.3971	LIMIT SWITCH SPACER SH 320 AX-AXI-AXIS	NR	1,000
010.0252	VICE SCREW 469X24 TI-CBCNC L.THREAD	NR	1,000
010.0785	FEEDER ROLLER 0 30 MM. 220 CB-TI CNC	NR	3,000
010.0927	FEEDER CARRIAGE SPRING CNCFE	NR	4,000
010.1203	90° OIL FILLER DIAM.8 6X1	NR	2,000
010.1608	FEEDER VICE FIX PLATE 330	NR	2,000
010.1666	FEEDER ROLLER PIN SH	NR	2,000
010.3144	FEEDER BAR PUSHER SUPPORT TI-CB	NR	2,000
010.7233	M16 SELF-LOCKING SCREW NUT	NR	1,000
010.7450	6 X 6 CYLINDRICAL POINT VCE GRUB	NR	2,000
010.7455	8 X 10 CONICAL POINT VCE GRUB SCREW	NR	2,000
010.7456	8 X 16 CONICAL POINT VCE GRUB SCREW	NR	2,000
010.7603	0 6 WASHER	NR	4,000
010.7604	0 8 WASHER	NR	2,000
010.7605	0 10 WASHER	NR	4,000
010.7830	5 X 10 BUTON SCREW	NR	2,000
010.7852	TCEI 4 X 12 SCREW	NR	2,000
010.7853	TCEI 4 X 20 SCREW	NR	2,000
010.7859	TCEI 5 X 12 SCREW	NR	6,000
010.7860	TCEI 5 X 15 SCREW	NR	2,000
010.7861	TCEI 5 X 20 SCREW	NR	2,000
010.7871	TCEI 6 X 20 SCREW	NR	4,000
010.7891	TCEI 8 X 16 SCREW	NR	1,000
010.7893	TCEI 8 X 20 SCREW	NR	2,000
010.7895	TCEI 8 X 30 SCREW	NR	4,000
010.7911	TCEI 10 X 20 SCREW	NR	4,000
016.0208	CHAIN SUPPORT TI-CB AX CNCFE	NR	1,000
016.0287	AIR VICE CYL. TI-CB AX-CNC TI 370 CNC	NR	1,000
022.0376	CONNECTOR F303N5000 FOR PROXIMITY	NR	1,000
022.0507	LIMIT SWITCH F.FEEDER CNCFE	NR	2,000
022.0522	PROXIMITY PNP AX	NR	1,000
025.0047	BALL SLEEVE 0658.030.00 AL. TI	NR	4,000
025.0060	BEARING 6000 2Z	NR	2,000
025.0292	DUST SCRAPER RING G.300.40.4 TI-CB	NR	5,000
034.0209	HANDWHEEL SH 200-TI-CB CNCFE FEEDER	NR	1,000
043.0034	AIR CYLINDER 100-8 F.TIGER FEEDER	NR	1,000
043.0198	4X1/4 TURNING ELBOW JOINT	NR	2,000

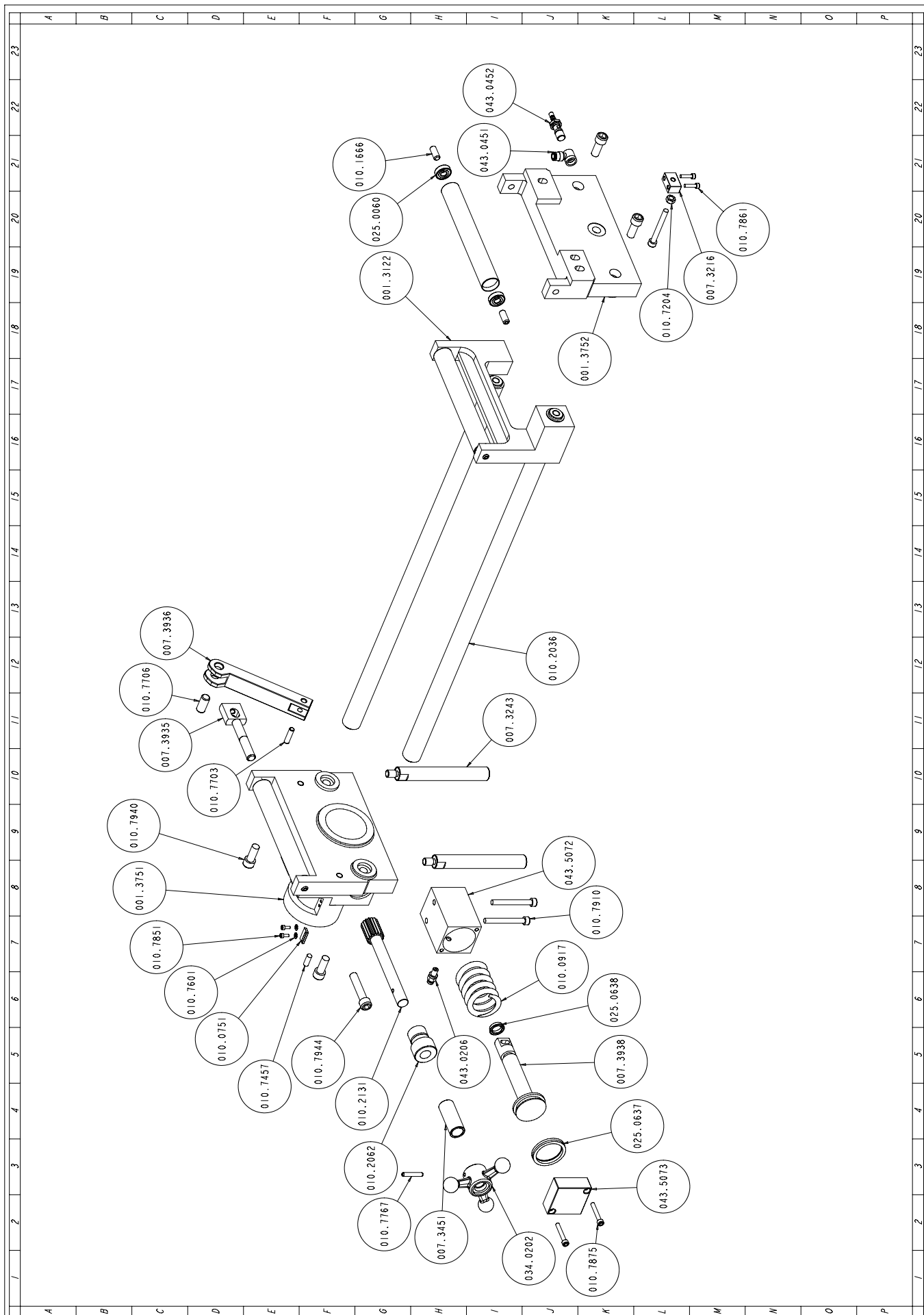
5.2.12 - (vervolg) Voedingseenheid



Reserve-onderdelen

Code	Description	U. of M.	Quantity
007.2562	RING NUT TI-CB AX	NR	1,000
007.3261	MICROSWITCH STOP PLATE TI-CB AX	NR	1,000
007.3926	STOP SPACER F.FEEDER CYLINDER SH 310	NR	1,000
010.0371	CYLINDER LOCKING RING NUT SH AX	NR	1,000
010.2011	FEEDER CYLINDER GUIDE SHAFT TI-CB AX	NR	1,000
010.2021	FEEDER CYLINDER TIE ROD TI-CB AX	NR	1,000
010.2041	0 60 CYLINDER SHAFT SH 310 AX	NR	1,000
010.2042	CYLINDER BODY SH 310 AX	NR	1,000
010.2071	0 60 CYLINDER PISTON SH 310 AX	NR	1,000
010.2072	0 50 CYLINDER PISTON SH 310 AX	NR	1,000
010.7204	M8 SCREW NUT	NR	1,000
010.7231	M12 SELF-LOCKING SCREW NUT	NR	1,000
010.7427	8 X 12 CYLIND.POINT VCE GRUB SCREW	NR	2,000
010.7451	6 X 12 CONICAL POINT VCE GRUB SCREW	NR	3,000
010.7606	0 12 WASHER	NR	1,000
010.7861	TCEI 5 X 20 SCREW	NR	2,000
010.7893	TCEI 8 X 20 SCREW	NR	4,000
010.7910	TCEI 8 X 70 SCREW	NR	1,000
025.0234	O RING 3218	NR	1,000
043.0451	CL 6610 8 X 1/4 REGULATOR	NR	1,000
043.0453	SCU 606 1/4 REGULATOR	NR	1,000
043.5034	POS.1571 FLANGE	NR	1,000
043.5223	POS.1554 OR RING	NR	1,000
043.5224	POS.1488 OR RING	NR	1,000
043.5231	POS.1503 OR RING	NR	1,000
043.5232	POS.1513 OR RING	NR	1,000
043.5233	POS.1572 TEFLON RING	NR	2,000
043.5243	POS.1466 TEFLON RING	NR	1,000
043.5244	POS.1514 TEFLON RING	NR	1,000
043.5261	POS.1505 GASKET	NR	1,000

5.2.13 - (vervolg) Voedingseenheid



Reserve-onderdelen

Code	Description	U. of M.	Quantity
001.3122	SUPPORT TI-CB AX-CNC	NR	1,000
001.3751	BRACKET TI-CB AX MOD.731	NR	1,000
001.3752	BRACKET TI-CB AX	NR	1,000
007.3216	LIMIT SWITCH STOP TI MA-SX-AX-CNC FE	NR	1,000
007.3243	FEEDER SUPPORT TI-CB AX-CNC	NR	2,000
007.3936	ECCENTRIC LEVER	NR	1,000
007.3938	CYLINDER PISTON SH-TI-CB	NR	1,000
010.0785	FEEDER ROLLER 0 30 MM. 220 CB-TI CNC	NR	3,000
010.0917	FEEDER SPRING TI-CB SH AX	NR	1,000
010.1666	FEEDER ROLLER PIN SH	NR	2,000
010.2036	FEEDER CARRIAGE GUIDE TI-CB AX	NR	2,000
010.2062	GEAR BUSHING SH 330	NR	1,000
010.2074	FEEDER CYLINDER PISTON TI-CB-SH AX	NR	1,000
010.7204	M8 SCREW NUT	NR	1,000
010.7457	8 X 20 CONICAL POINT VCE GRUB SCREW	NR	1,000
010.7601	0 4 WASHER	NR	2,000
010.7703	CYLINDRICAL PIN DIAM. 8 X 30	NR	1,000
010.7706	CYLINDRICAL PIN DIAM. 14 X 30	NR	1,000
010.7767	ELASTIC PIN DIAM. 6 X 35	NR	1,000
010.7851	TCEI 4 X 10 SCREW	NR	2,000
010.7861	TCEI 5 X 20 SCREW	NR	2,000
010.7875	TCEI 6 X 40 SCREW	NR	2,000
010.7910	TCEI 8 X 70 SCREW	NR	3,000
010.7940	TCEI 12 X 30 SCREW	NR	4,000
010.7944	TCEI 12 X 60 SCREW	NR	1,000
025.0060	BEARING 6000 2Z	NR	4,000
025.0637	LIP SEAL DE 212	NR	1,000
025.0638	LIP SEAL DE 106	NR	1,000
034.0202	SMALL VICE HANDWHEEL	NR	1,000
043.0206	4X1/8 - CL 6511 HEXAGONAL COUPLING	NR	1,000
043.0451	CL 6610 8 X 1/4 REGULATOR	NR	1,000
043.0452	MCU 706 1/4 REGULATORS	NR	1,000
043.5072	CYLINDER BODY TI-CB-SH AX	NR	1,000
043.5073	CYLINDER BODY TI-CB-SH AX	NR	1,000