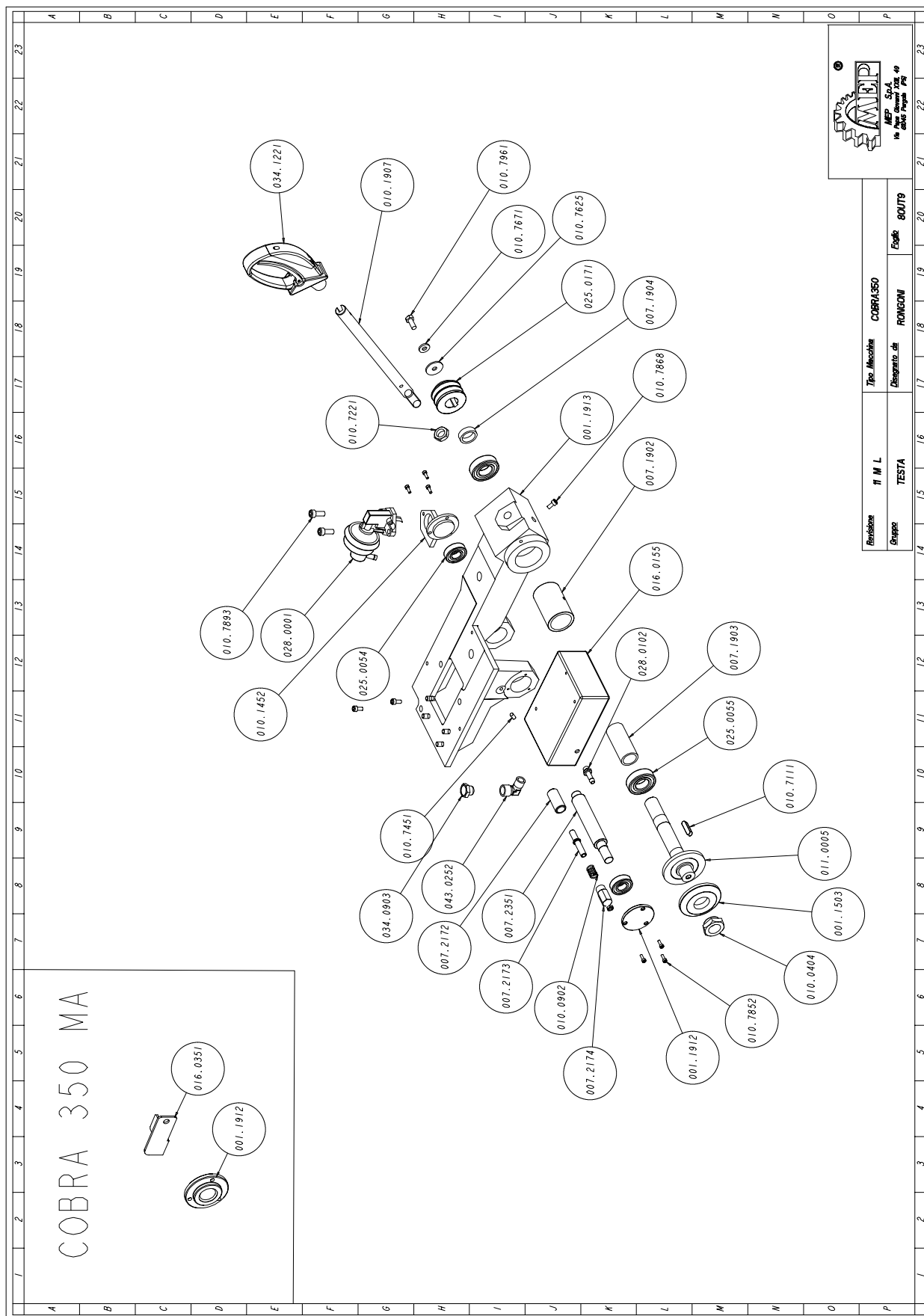


5.2 - Explodedview tekeningen van de machine

Het nu volgende deel betreft de explodedview tekeningen van de machine die, gezien de volledigheid van de details, kunnen helpen deze machine diepgaander te kennen.

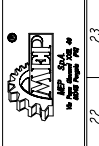
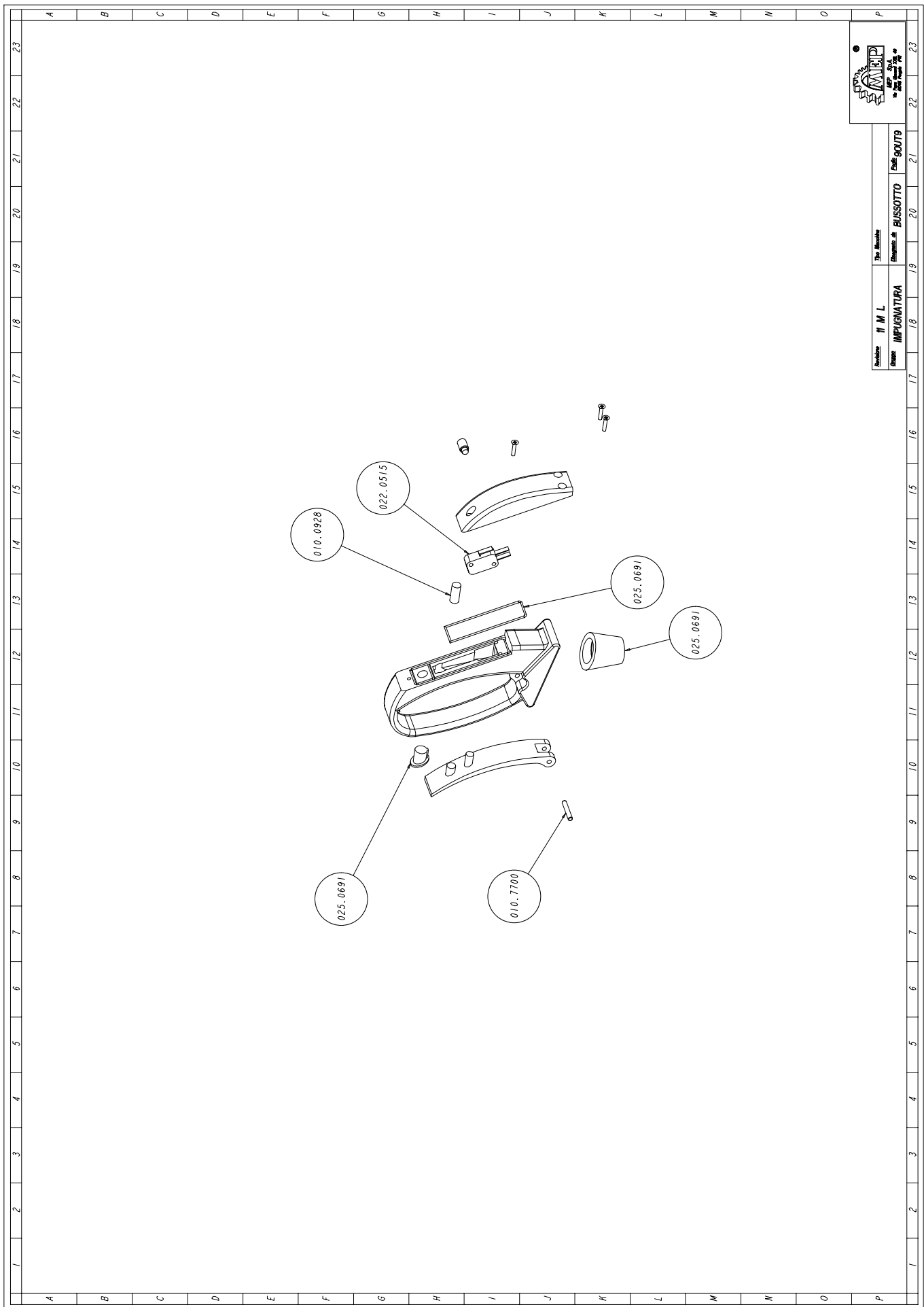
5.2.1 - Hoofd eenheid



Reserve onderdelen

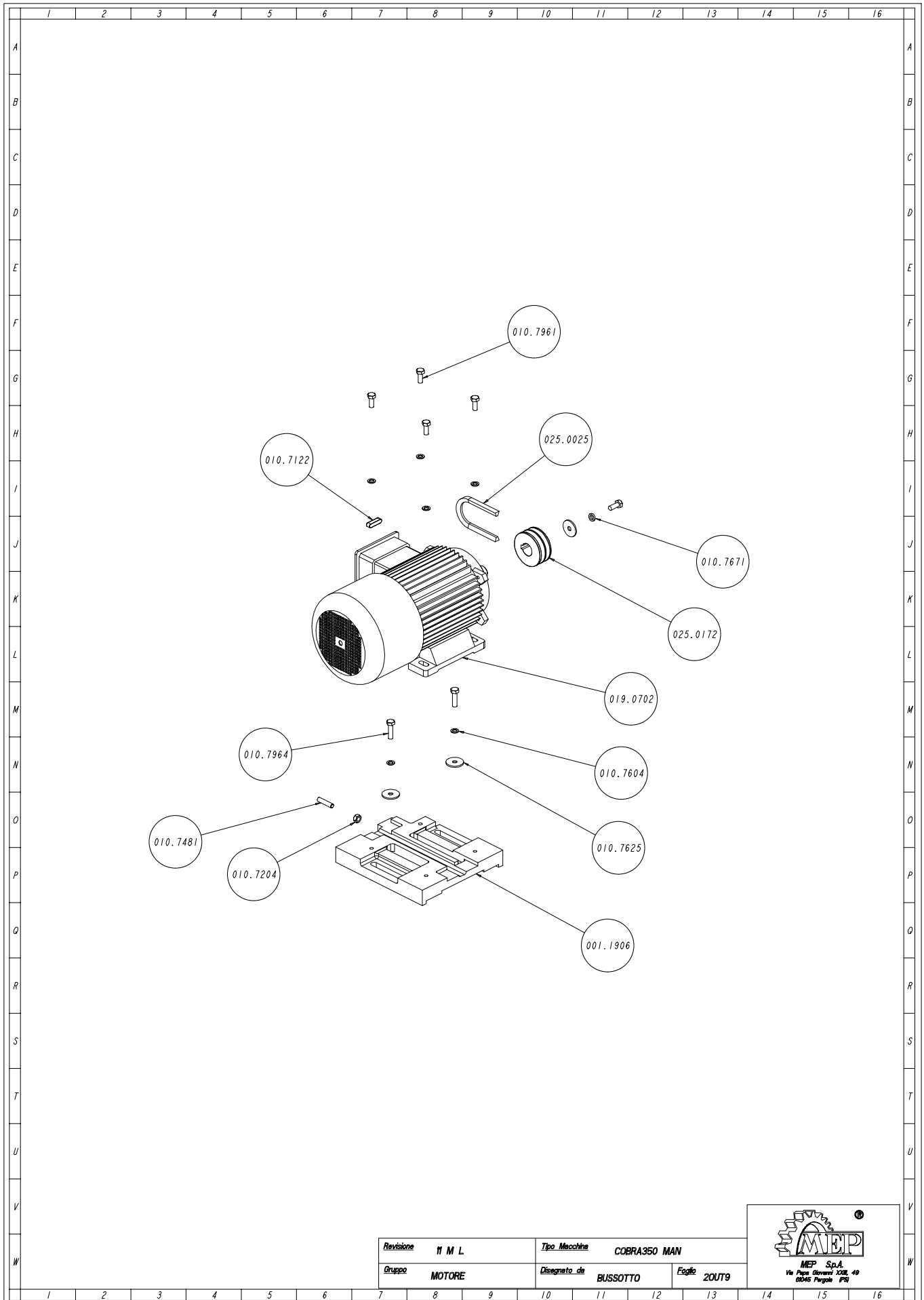
Code	Description	U.M.	Q.ty
001.1503	OUTER FLANGE CB 350 MOD.253	NR	1,000
001.1912	COVER CB 350 MOD.311	NR	2,000
001.1913	PLATFORM CB 350 MOD.312	NR	1,000
007.1902	EXT.BEARING SPACER CB 300/349/350	NR	1,000
007.1903	INT. BEARING SPACER CB 300/349/350	NR	1,000
007.1904	WHEEL SPACER CB 300/349/350	NR	1,000
007.2172	BUSHING CB 349-350 D	NR	1,000
007.2173	LOCKING PIN CB 349/350 D	NR	1,000
007.2174	RING NUT CB 349/350 D	NR	1,000
007.2351	HEAD PIVOT SUPPORT PIN CB 350	NR	1,000
010.0404	M M.25 P.HEX NUT 2 RA-CB 350	NR	1,000
010.0902	HEAD FIXED POINT SPRING	NR	1,000
010.1452	PUMP FIXING COVER CB 350	NR	1,000
010.1907	BT/NOT-AUS LEVER SC-CB-RA-TI	NR	1,000
010.7111	8 X 7 X 32 KEY	NR	1,000
010.7221	M16 LOW SCREW NUT	NR	1,000
010.7451	6 X 12 CONICAL POINT VCE GRUB SCREW	NR	1,000
010.7625	0 8 X 32 WASHER	NR	1,000
010.7671	THICKNESS WASHER DIAM. 8 X 3	NR	1,000
010.7852	TCEI 4 X 12 SCREW	NR	6,000
010.7868	TCEI 6 X 12 SCREW	NR	3,000
010.7893	TCEI 8 X 20 SCREW	NR	2,000
010.7961	TE 8 X 20 SCREW	NR	2,000
011.0005	BLADE SHAFT CB 349/350	NR	1,000
016.0155	TANK CB 350	NR	1,000
016.0351	VALVE CONTROL PLATE	NR	1,000
025.0054	BEARING 62.03 2Z	NR	2,000
025.0055	BEARING 62.05 2Z C3	NR	2,000
025.0171	WHEEL 50X2 SPZ HOLE 24	NR	1,000
028.0001	ALUMINIUM PUMP	NR	1,000
028.0102	JOINT WITH WASHER	NR	1,000
034.0903	3/8" GAS OIL LEVEL CAP	NR	1,000
043.0252	MF 3/8 CL 2020 ELBOW	NR	1,000
090.0271	COMPLETE MEP HANDLE	NR	1,000

5.2.2 - Handgreep voor bediening Hoofd eenheid



Revizija: 11 M L The Machine
 Elementi di: BUSSOTTO
 Gruppo: IMPUGNATURA
 Codice: 90079

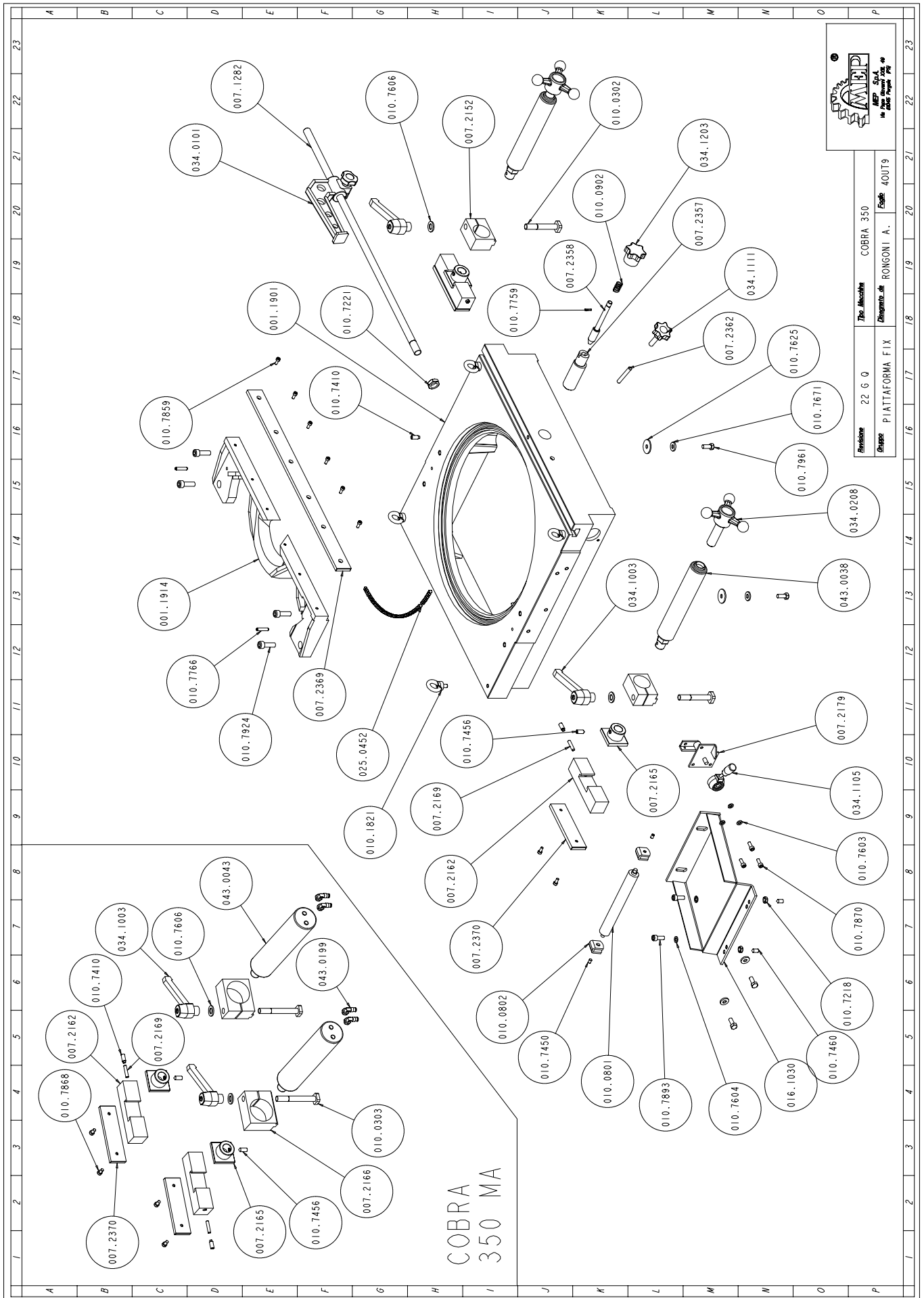
5.2.3 - Motor Eenheid



Reserve onderdelen

Code	Description	U.M.	Q.ty
001.1906	MOTOR PLANE CB 350 MOD.306	NR	1,000
010.7122	8 X 8 X 32 KEY	NR	1,000
010.7204	M8 SCREW NUT	NR	1,000
010.7481	8 X 35 FLAT POINT VCE GRUB SCREW	NR	1,000
010.7604	0 8 WASHER	NR	6,000
010.7625	0 8 X 32 WASHER	NR	3,000
010.7671	THICKNESS WASHER DIAM. 8 X 3	NR	1,000
010.7961	TE 8 X 20 SCREW	NR	5,000
010.7964	TE 8 X 30 SCREW	NR	2,000
019.0702	HP 3 2P 1S.V.220-380 C90L CB 350	NR	1,000
025.0025	BELT SPZ 900 S.TX	NR	2,000
025.0172	WHEEL 60X2 SPZ HOLE 24	NR	1,000
001.1902	ROTATING TABLE CB 350 MOD.302	NR	1,000
001.1903	ROTATING TABLE RING CB 350	NR	1,000
007.2366	ROTATING TABLE PLATE CB 350	NR	1,000
010.7205	M10 SCREW NUT	NR	2,000
010.7604	0 8 WASHER	NR	6,000
010.7767	ELASTIC PIN DIAM. 6 X 35	NR	2,000
010.7964	TE 8 X 30 SCREW	NR	6,000
010.7976	TE 10 X 30 SCREW	NR	2,000
010.7993	TSPEI 5 X 12 SCREW	NR	6,000

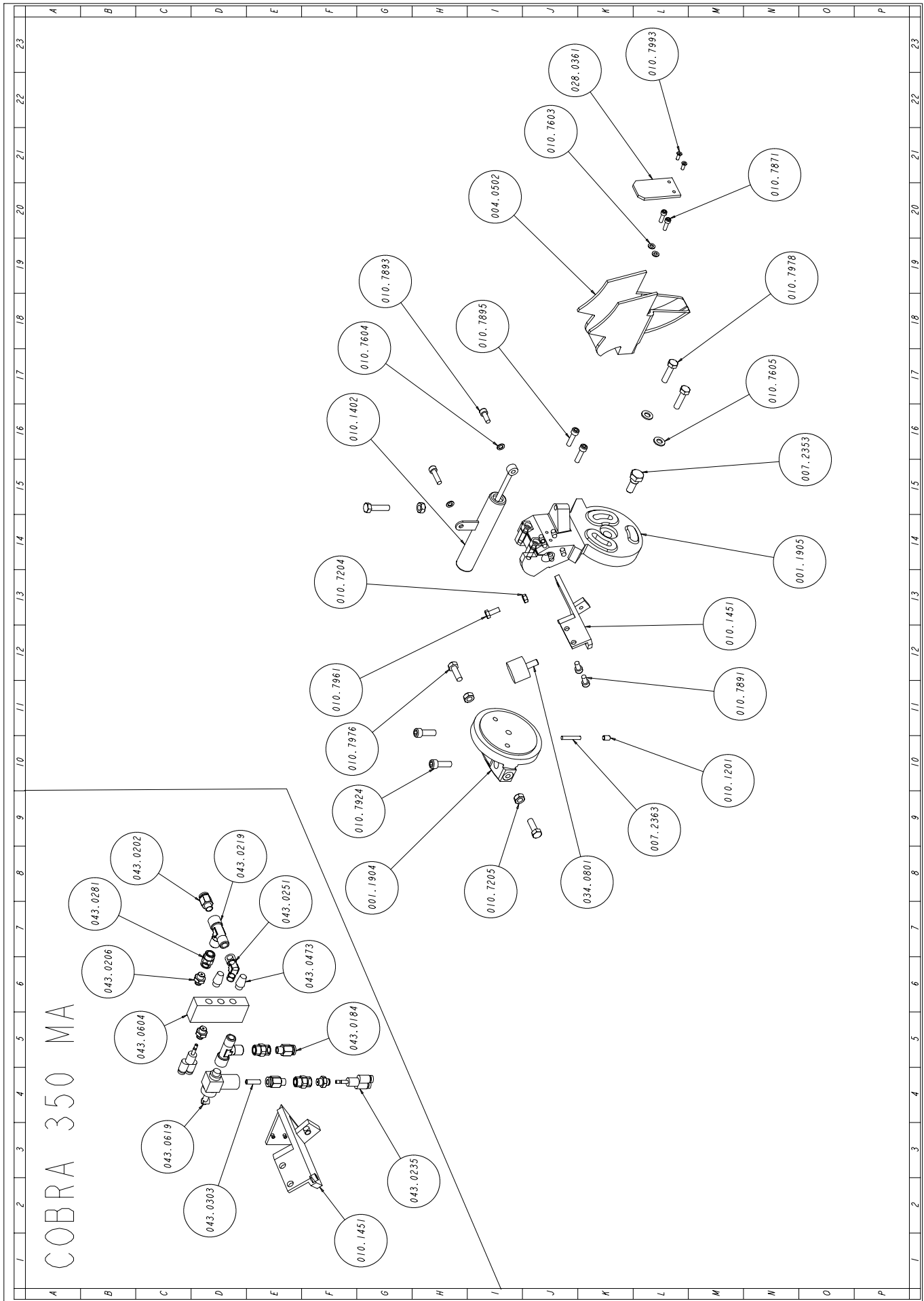
5.2.4 - Groep vaste tafel en Klemgroep



Reserve onderdelen

Code	Description	U.M.	Q.ty
001.1901	BASE CB 350 MOD.301	NR	1,000
001.1914	VICE BACK STOP CB 350 MOD.313	NR	1,000
007.1282	CUT TO MEASURE ROD FC-CB-SH 200	NR	1,000
007.2152	VICE SLEEVE SUPPORT CB 349/350	NR	2,000
007.2162	VICE JAW CB 349/350	NR	2,000
007.2165	VICE JAW SUPPORT CB 349/350	NR	2,000
007.2166	VICE SLEEVE SUPPORT CB SX-AX-CNC	NR	2,000
007.2169	JAW LOCKING PIN CB 349/350	NR	2,000
007.2179	HEAD LOCKING SYSTEM CB 350 D	NR	1,000
007.2357	ECCENTRIC CB 350	NR	1,000
007.2358	PIN CB 350	NR	1,000
007.2362	LOCKING PIN CB 350	NR	1,000
007.2369	38X8 ADDITIONAL FIXED JAW CB 350	NR	1,000
007.2370	38X8 ADDITIONAL MOBILE JAW CB 350	NR	2,000
007.2371	50X8 ADDITIONAL FIXED JAW CB 350	NR	1,000
007.2372	50X8 ADDITIONAL MOBILE JAW CB 350	NR	2,000
010.0302	SCREW 22X22 M12X80 CB 349-350	NR	2,000
010.0303	SCREW 22X22 M12X95 CB 350 AX-CNCFE	NR	2,000
010.0801	ROLLER 304011 0 24 CB-TI-FC	NR	1,000
010.0802	ROLLER SUPPORT CB-TI-FC	NR	2,000
010.0902	HEAD FIXED POINT SPRING	NR	1,000
010.1821	ZINC MALE BOLT M 8 FC-CB	NR	4,000
010.7218	M8 LOW SCREW NUT	NR	2,000
010.7221	M16 LOW SCREW NUT	NR	1,000
010.7410	8 X 16 CYLIND.POINT VCE GRUB SCREW	NR	3,000
010.7450	6 X 6 CYLINDRICAL POINT VCE GRUB	NR	2,000
010.7456	8 X 16 CONICAL POINT VCE GRUB SCREW	NR	2,000
010.7460	8 X 12 CONICAL POINT VCE GRUB SCREW	NR	2,000
010.7603	0 6 WASHER	NR	3,000
010.7604	0 8 WASHER	NR	2,000
010.7605	0 10 WASHER	NR	2,000
010.7625	0 8 X 32 WASHER	NR	2,000
010.7671	THICKNESS WASHER DIAM. 8 X 3	NR	4,000
010.7759	ELASTIC PIN DIAM. 3 X 16	NR	1,000
010.7766	ELASTIC PIN DIAM. 6 X 30	NR	2,000
010.7859	TCEI 5 X 12 SCREW	NR	10,000
010.7870	TCEI 6 X 16 SCREW	NR	3,000
010.7893	TCEI 8 X 20 SCREW	NR	2,000
010.7924	TCEI 10 X 30 SCREW	NR	4,000
010.7961	TE 8 X 20 SCREW	NR	4,000
016.1030	BAR SUPPORT ARM SC 315-CB	NR	1,000
025.0452	ROLLERS 6X6 AISI 420	NR	219,000
034.0101	LARGE CUT TO MEASURE STOP	NR	1,000
034.0208	M20X70 SMALL VICE HANDWHEEL CB350-450	NR	2,000
034.1003	LEVER 12 MA	NR	2,000
034.1105	HANDWHEEL CB 350	NR	1,000
034.1111	O 30 M10 X 40 HANDWHEEL	NR	1,000
034.1203	MEP MADE HANDWHEEL M10	NR	1,000
043.0038	CYLINDER 20 M CB 330-350-450	NR	2,000
043.0043	VICE CYLINDER 0 50 CB AX-CNC	NR	2,000
043.0199	4X1/8 TURNING ELBOW JOINT	NR	4,000

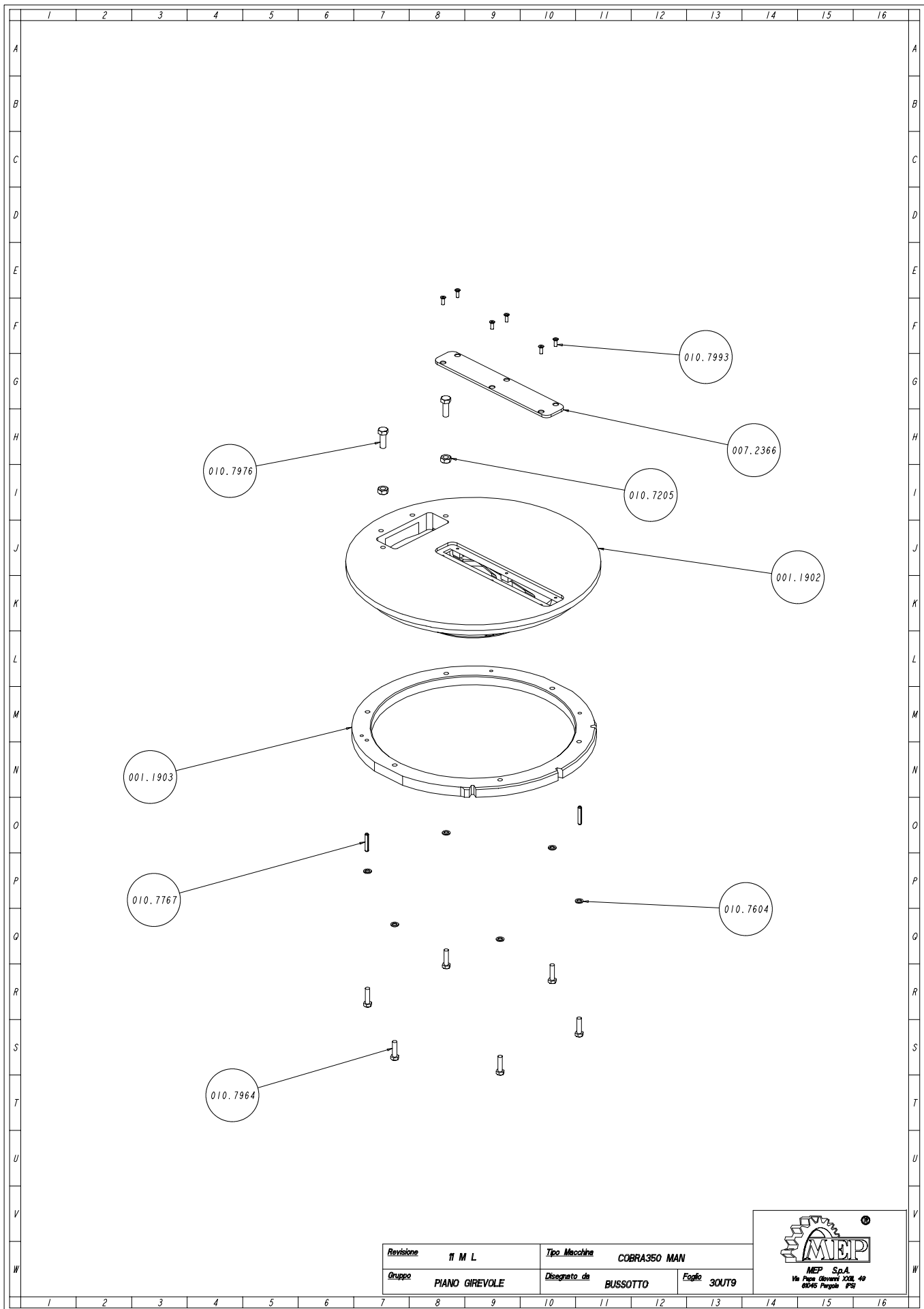
5.2.5 - Ondersteuning kippunt hoofd



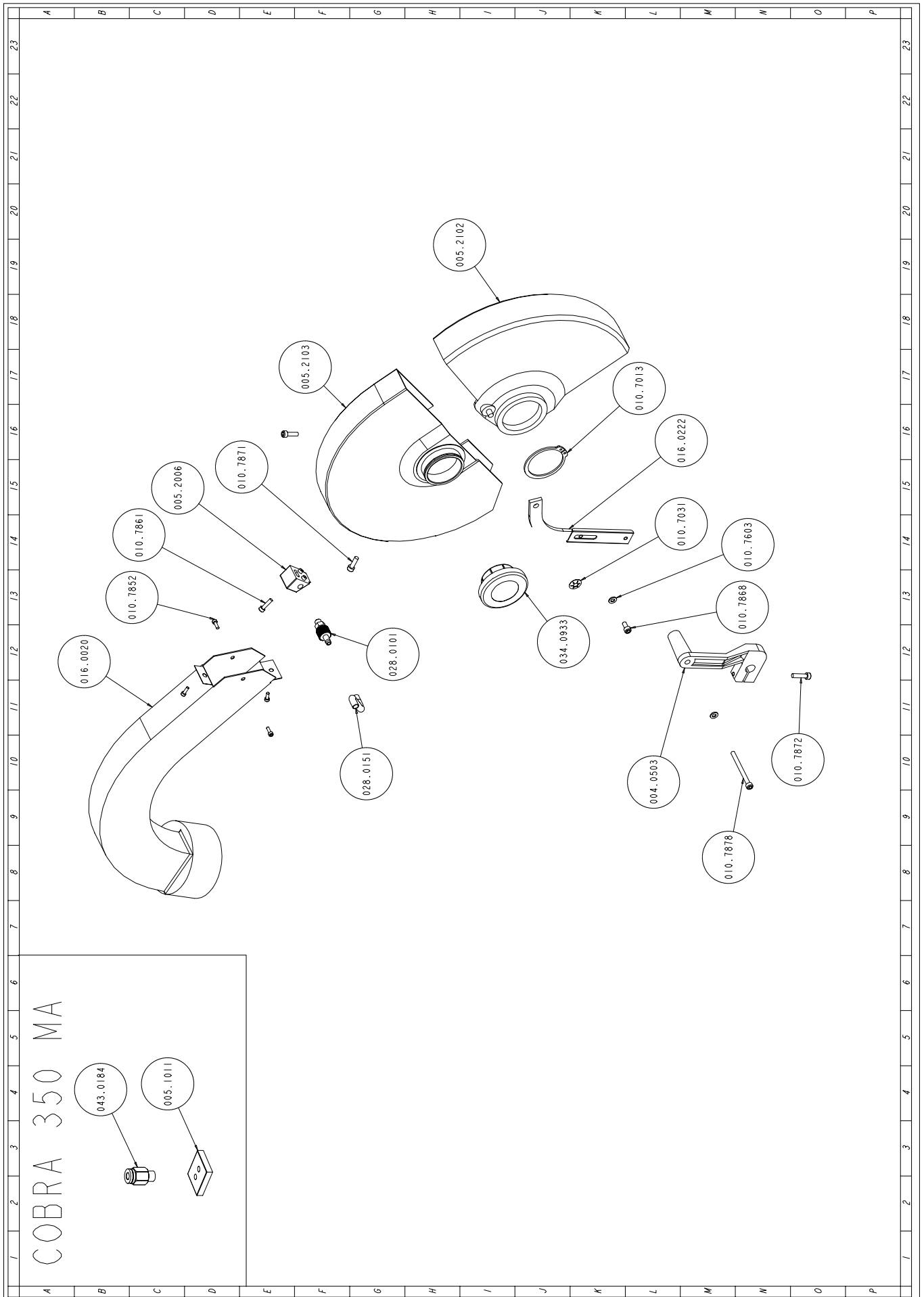
Reserve onderdelen

Code	Description	U.M.	Q.ty
001.1904	SUPPORT CB 350 MOD.304	NR	1,000
001.1905	SUPPORT CB 350 MOD.305	NR	1,000
004.0502	FIXED PROTECTION CB 350 N.S.	NR	1,000
007.2353	HEX. SCREW CB 350	NR	1,000
007.2363	PIN CB 350	NR	1,000
010.1402	HEAD RETURN SPRING CB 350	NR	1,000
010.1451	PUMP BRACKET CB 350	NR	1,000
010.7204	M8 SCREW NUT	NR	1,000
010.7205	M10 SCREW NUT	NR	3,000
010.7402	6 X 12 CYLIND.POINT VCE GRUB SCREW	NR	1,000
010.7603	0 6 WASHER	NR	2,000
010.7604	0 8 WASHER	NR	2,000
010.7605	0 10 WASHER	NR	2,000
010.7871	TCEI 6 X 20 SCREW	NR	2,000
010.7891	TCEI 8 X 16 SCREW	NR	2,000
010.7893	TCEI 8 X 20 SCREW	NR	1,000
010.7895	TCEI 8 X 30 SCREW	NR	3,000
010.7924	TCEI 10 X 30 SCREW	NR	2,000
010.7961	TE 8 X 20 SCREW	NR	1,000
010.7976	TE 10 X 30 SCREW	NR	2,000
010.7978	TE 10 X 40 SCREW	NR	3,000
010.7993	TSPEI 5 X 12 SCREW	NR	2,000
028.0361	BLADE COVER RUBBER JOINT CB 350	NR	1,000
034.0801	ELASTIC STOP P 40/30 CB-RA350 SH 260-270	NR	1,000
043.0206	HEXAGONAL COUPLING 4x1/8	NR	3,000
043.0184	HEXAGONAL COUPLING 6x1/8	NR	2,000
043.0202	HEXAGONAL COUPLING 8x1/8	NR	1,000
043.0235	Y BRANCHING 4 MM PIPE	NR	2,000
043.0251	M.F. ELBOW 1/8	NR	1,000
043.0281	1/8 M 8/8 SLEEVE	NR	3,000
043.0218	MFF T JOINT	NR	2,000
043.0473	1/8 SILENCER	NR	2,000
016.0354	VALVE FIXING BRACKET	NR	1,000
043.0303	RILSAN HOSE 6X4	NR	1,000
043.0604	358 990 VALVE	NR	1,000
043.0619	PWBA 1468 BLOCK INTERCEPTOR	NR	1,000

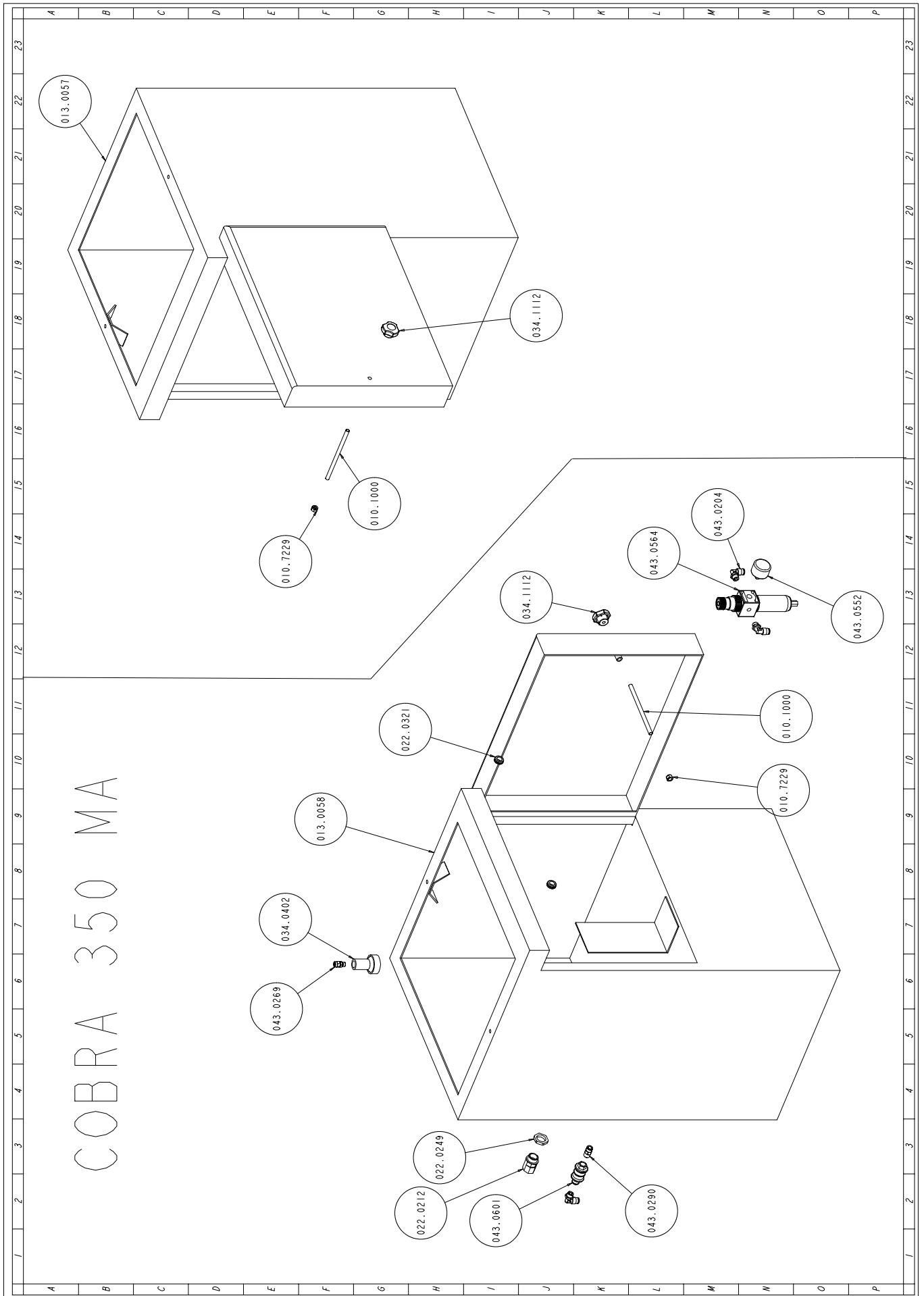
5.2.6 - Groep draaitafel



5.2.7 - Eenheid ter Afdekking Zaagblad



5.2.8 - Basis Eenheid



5.2.9 - Bedienveld Eenheid

