

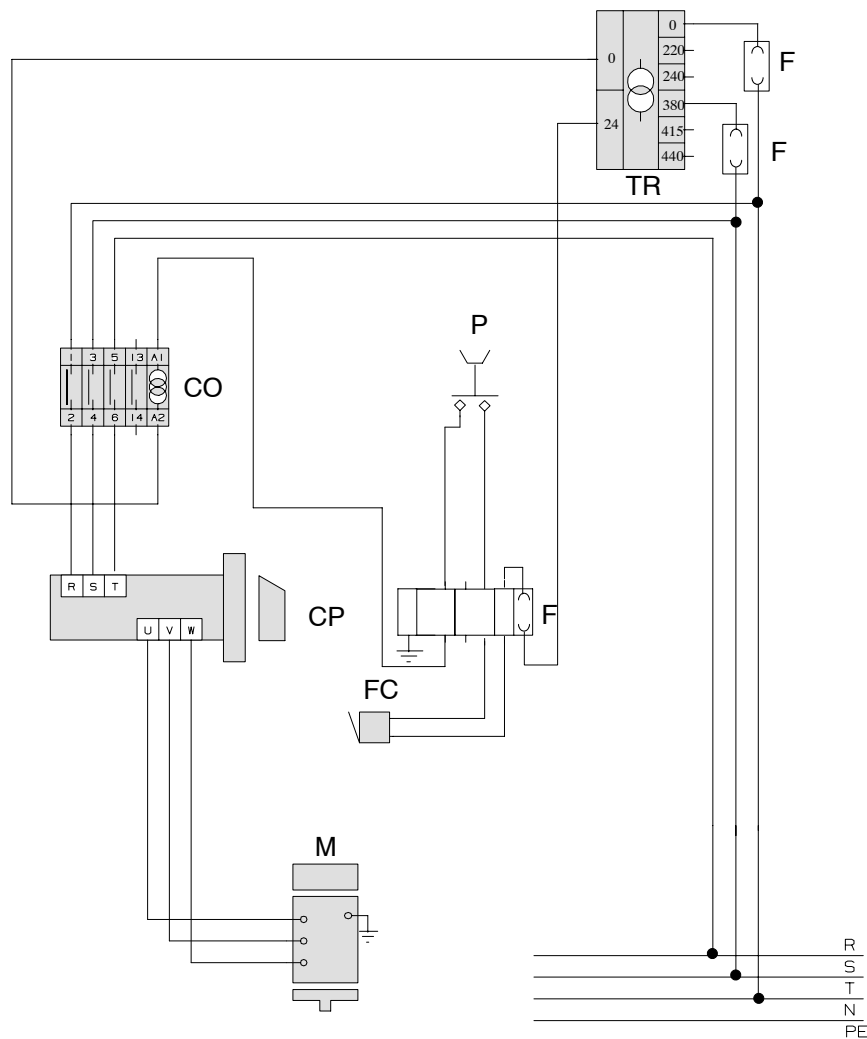
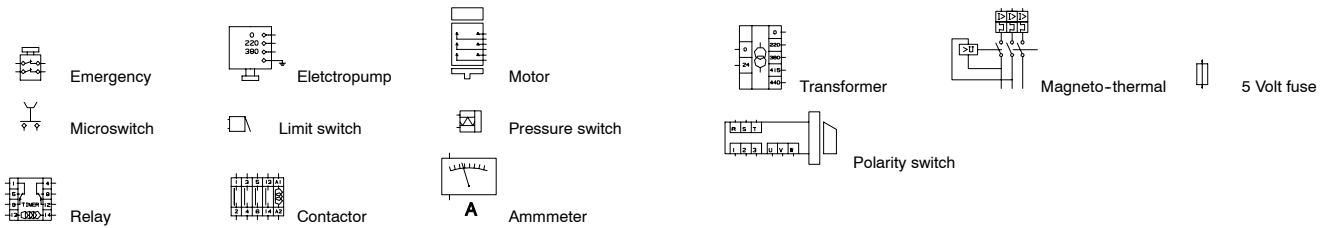
# CHAPTER 5 - Diagrams, exploded views and spare parts

This chapter contains functional diagrams of the machine and exploded views of the COBRA 330. This document will allow you to identify the location of the various components making up the machine, thus enabling repairs and/or maintenance work to be carried out. In addition, this document will also enable you to order spare parts, correctly identifying them by part number and position number.

## 5.1 - Diagrams

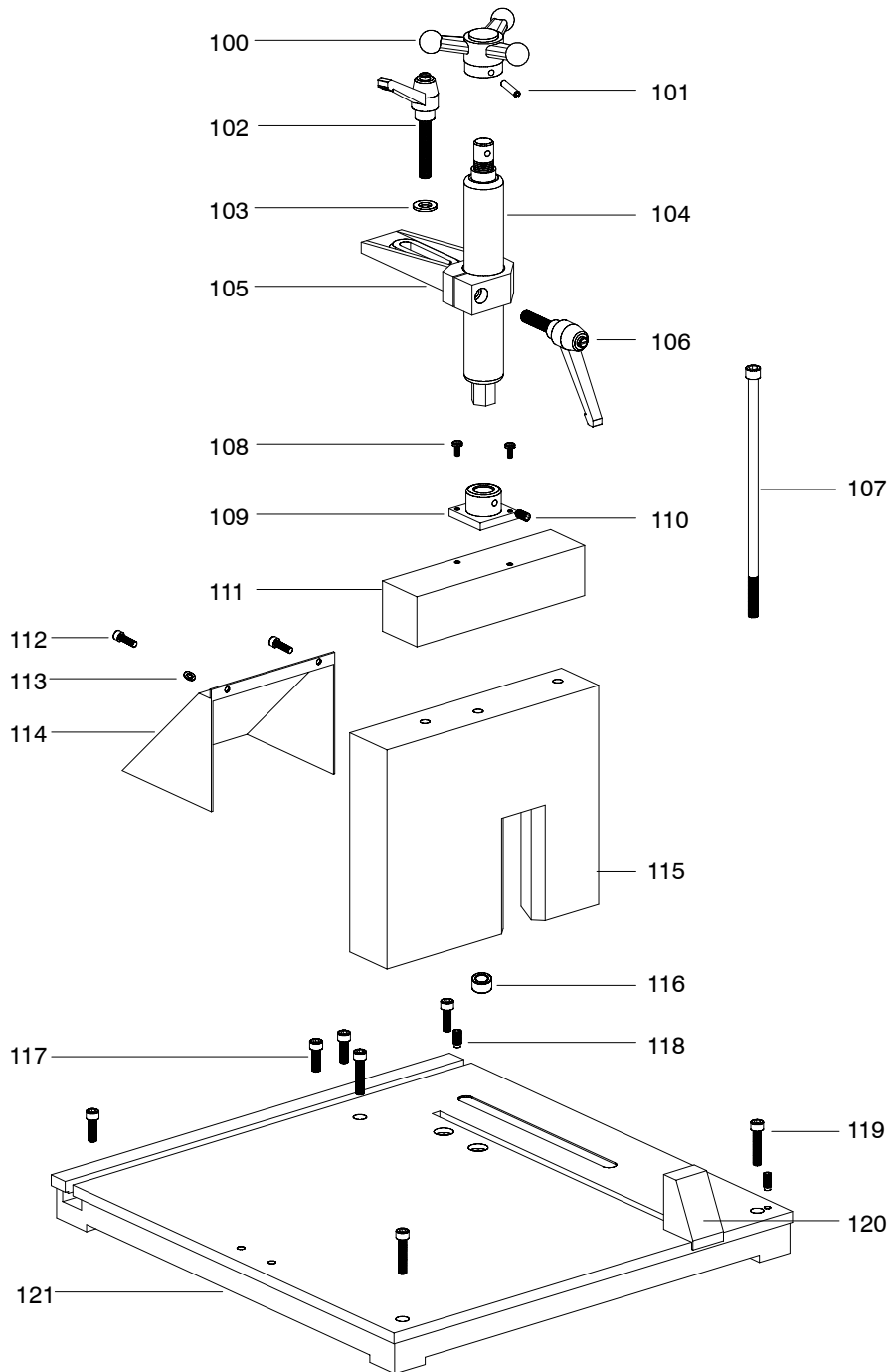
### 5.1.2 - Electrical system

#### KEY TO ELECTRICAL COMPONENTS



## 5.2 - Exploded views

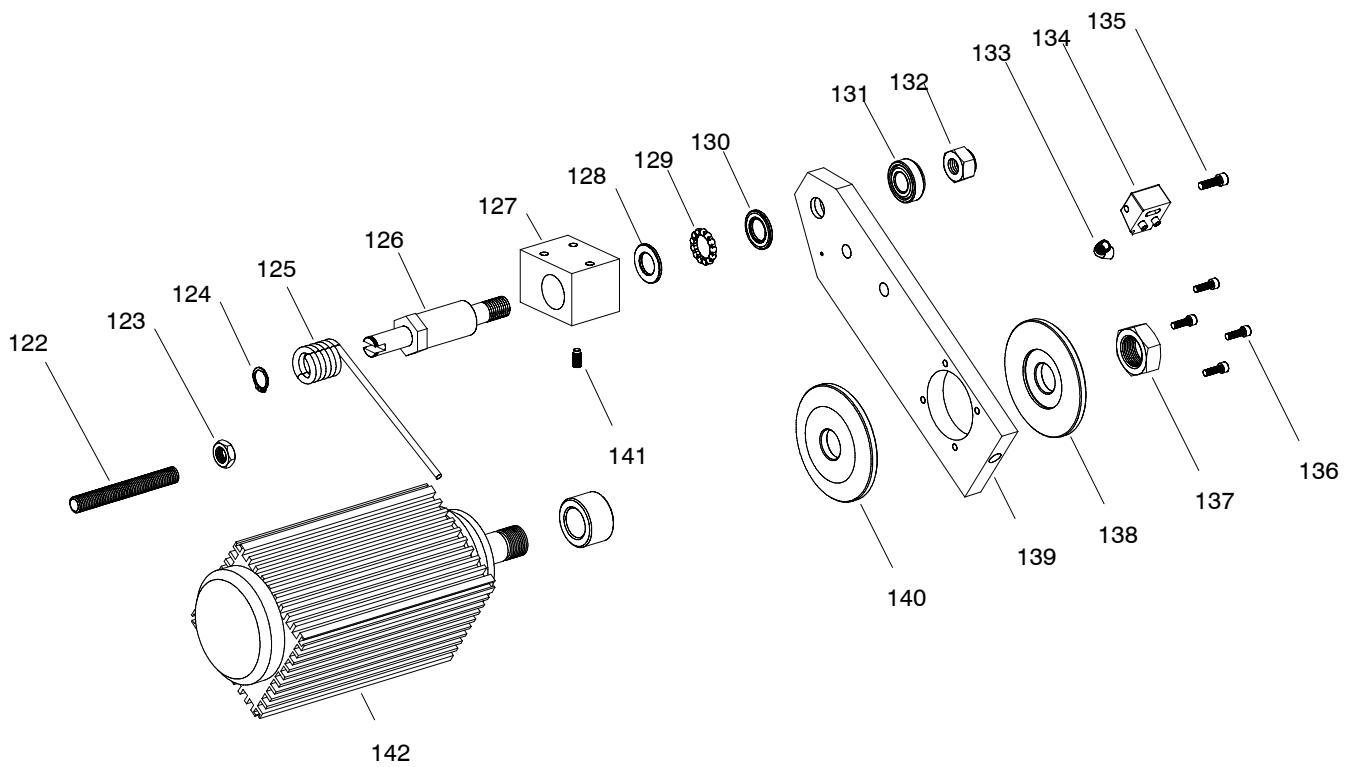
This part of the manual contains the exploded views of the COBRA 330 which will assist in gaining a thorough knowledge of the machine.



## Spare parts

Posizione	Codice	Descrizione	U.M.	Q.tà
100	034.1002	Volantino morsa piccolo	nr	1,000
101	010.1201	Spina elastica 6 x 35	nr	1,000
102	034.1002	Leva a scatto 10 MA	nr	1,000
103	010.1201	Rondella diam.10 FL	nr	1,000
104	043.0038	Cilindro 20 M	nr	1,000
105	001.3709	Staffa bloccaggio cilindro	nr	1,000
106	034.1002	Leva a scatto 10 MA	nr	1,000
107	010.0313	Vite 8,8 TCEI 10 x 260	nr	1,000
108	010.1201	Vite TE autofilettante 5 x 35	nr	2,000
109	007.2001	Supporto ganascia	nr	1,000
110	010.1201	Vite VCE 8 x 10	nr	1,000
111	034.0002	Morsa legno tipo grande	nr	1,000
112	010.1201	Vite TCEI 6 x 16	nr	2,000
113	010.1201	Rondella diam. 6	nr	2,000
114	016.0260	Protezione disco anteriore	nr	1,000
115	001.1602	Squadro morsa	nr	1,000
116	007.1980	Boccola rotazione squadro	nr	1,000
117	010.1201	Vite TCEI 8 x 20	nr	4,000
118	010.1201	Vite VCE 8 x 16	nr	2,000
119	010.1201	Vite TCEI 8 x 40	nr	2,000
120	016.0259	Protezione disco anteriore	nr	1,000
121	001.1601	Piano di taglio	nr	1,000

## Exploded views (continued)





### Exploded views (continued)

